

H



# JAY R. SMITH CO.

PLUMBING & DRAINAGE PRODUCTS

959 Alness Street, North York, Ontario M3J 2J1  
TEL: (416) 736-9610 FAX: (416) 736-3789

LOCATION

DRAWING NUMBER  
S9936-CAN

SIZE  
A

SCALE:  
NONE

DATE:  
10/01/99

APPROVED BY:  
PACE

CHECKED BY:  
PACE

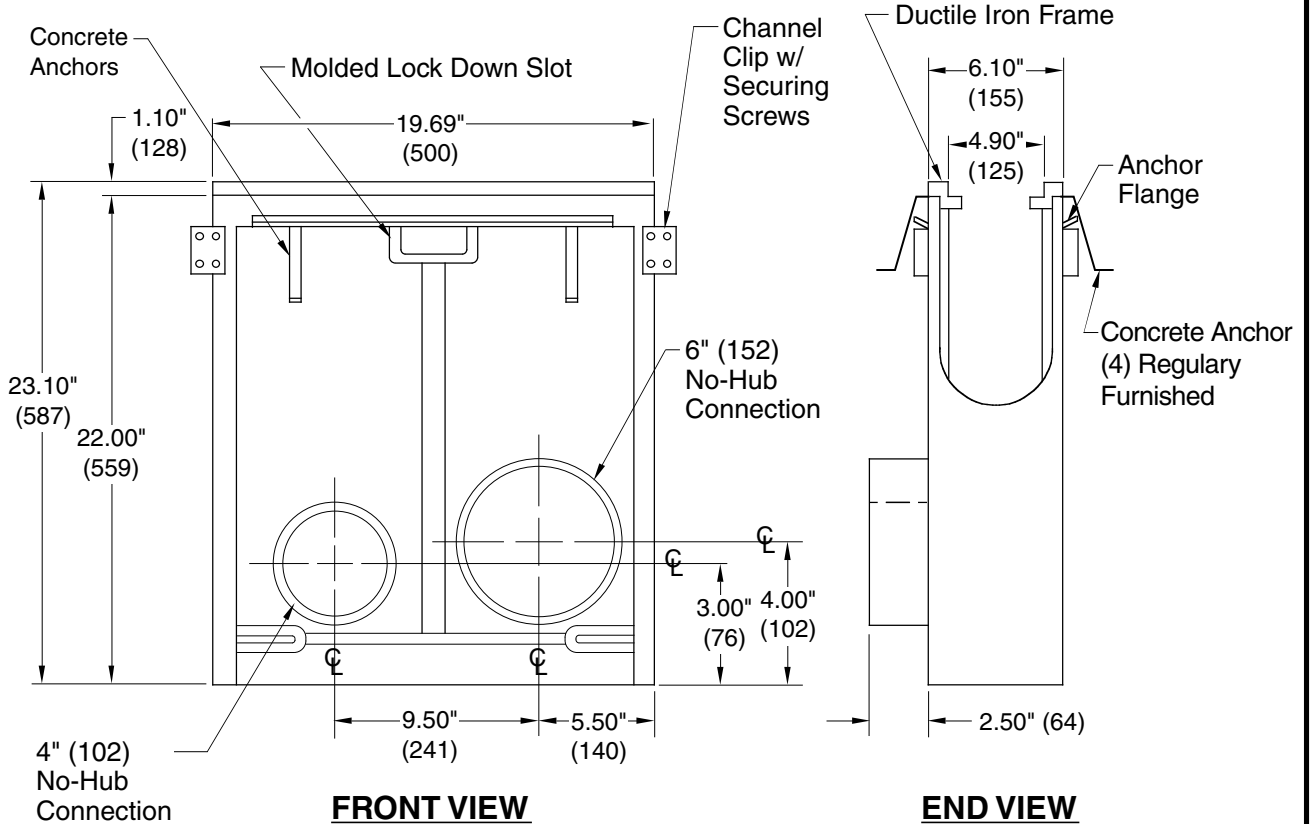
DRAWN BY:  
JJ

9936-CAN

WE CAN ASSUME NO RESPONSIBILITY FOR USE OF SUPERSEDED OR VOID DATA

DIMENSIONS ARE SUBJECT TO MANUFACTURERS TOLERANCE AND CHANGE WITHOUT NOTICE

## 9936 CATCH BASIN FOR ENVIRO-FLO® DRAIN SYSTEM



**NOTE:**  
Catch basin requires a minimum of 4" of concrete or slab thickness, whichever is greater, around and under complete unit.

**REGULARLY FURNISHED:**  
100% Polypropylene with U.V. Inhibitors.  
Molded Catch Basin with 4" and 6" Preformed No Hub Outlet Connection, Ductile Iron Frame, and (4) Galvanized Concrete Anchors. Supplied with Secured Grate.

**NOTE:**  
If catch basin is specified for any other channel except for the #15 channel, a channel shim must be ordered part number 9930-ESK.

- VARIATIONS:**
- Plastic Sediment Bucket
  - End Cap
  - Grate Specifications (See back)
  - End Frame
  - Channel Shim 9930-ESK

(Dimensions shown in Parentheses are in Millimeters)



REV.	DATE	DESCRIPTION	BY	CKD. BY
H G	04/11/05 8-20-04	Added Shim Note Revised Variations	JJ RN	PJ PJ

WEIGHT POUNDS	VOLUME CUBIC FEET
------------------	----------------------

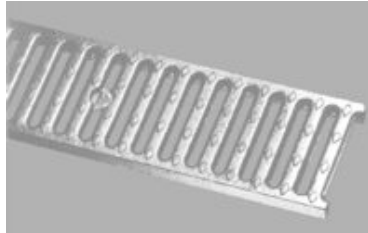
FIGURE NUMBER  
**9936-CAN**

# 9936 CATCH BASIN GRATE SPECIFICATION

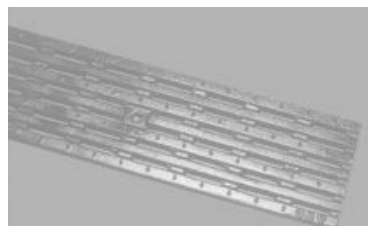
DRAWING NUMBER	S9936BS-CAN
SCALE:	NONE
DATE:	10/05/99
APPROVED BY:	JJ
CHECKED BY:	JJ
DRAWN BY:	JJ
FIGURE NUMBER	9936BS-CAN

WE CAN ASSUME NO RESPONSIBILITY FOR USE OF SUPERSEDED OR VOID DATA  
DIMENSIONS ARE SUBJECT TO MANUFACTURERS TOLERANCE AND CHANGE WITHOUT NOTICE

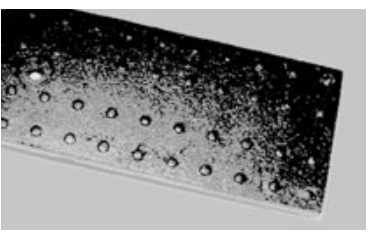
**Extra Heavy Duty, DIN 19580 CLASS E-** 135,000 lbs-2,788 psi For commercial solid tire traffic patterns, forklifts and impacts from steel struts or metal wheels.



**Slotted Ductile Iron Grate -M**  
System for dynamic loads and hard wheel forklifts. .5 meter, 11 lbs., Open area 51.95 Sq. In.



**Ductile Iron -ADA**  
ADA compliant design that is rated for heavy loads and frequent traffic. (.5 meter 11 lbs.) Open Area 56.07 Sq. In.



**Solid Ductile Iron -MS**  
For pipe or conduit housing. Protects channel from debris while allowing access. .5 meter, 14 lbs.

**NOTE:** The grate securing bolt must remain secured in the grate and is tightened to the locking bar installed in the catch basin. If the grate securing bolt is removed from the grate for maintenance of the catch basin, it must be replaced and retightened. If the grate securing bolt is left out of the grate, the life span of the catch basin could be affected along with the safety of pedestrian traffic.

C B A	8-20-04 10/04/99 06/19/98	Deleted-ML Grate Added ADA Grate Added Grate Securing Note	RN JJ ASL	PJ MD PJ	WEIGHT POUNDS	VOLUME CUBIC FEET	FIGURE NUMBER
REV.	DATE	DESCRIPTION	BY	CKD.			9936BS-CAN