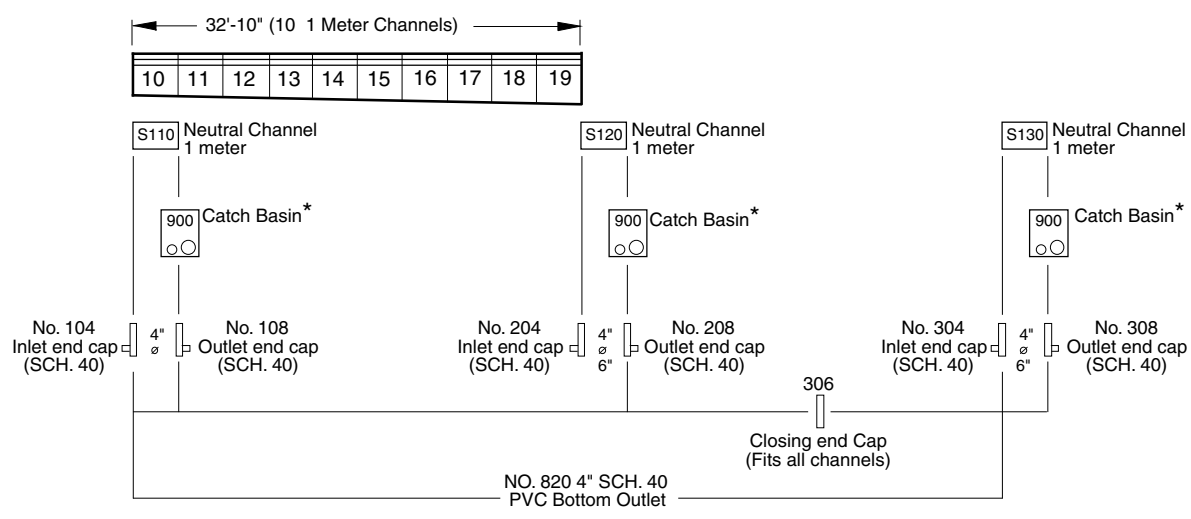


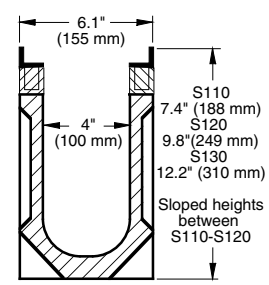
## 6" WIDE 9820 CHANNEL BRUTE DRAIN SYSTEM w/INTEGRAL CAST IRON RAIL

**FUNCTION:** Used in all surface drainage applications, may be assembled in any length utilizing integral cast iron rail that allows for extra heavy duty applications, such as airports, bus depots, military bases, warehouses, service stations, and industrial plants. The channel and grate combination is rated for DIN 19580 Class F - 200,000 lbs - 4,182 psi loads and designed to withstand loads forced on by turning actions from heavy wheeled vehicles.



All channels provided with vertical preformed knock-out positions for 4" and 6" outlet discharge.

**\*NOTE:**  
Catch Basin length is 19.68 long (.5m)



**REGULARLY FURNISHED:**

1 Meter (3.28') Precast Polyester Concrete Channel of Interlocking Design with a Built-in Slope of .6%. Channel has an Integral Cast Iron Rail & Radiused Bottom. Supplied with Secured Ductile Iron Slotted Grates. Grates are Secured with 8 High Strength Bolts to the Cast Iron Frame.

**VARIATIONS:**

- Bottom Outlet 4"
- Step Connectors
- Closing End Cap
- Horizontal Outlet 4"
- Horizontal Outlet 6" (For Channel 120 and 130 only)
- Dome Strainer 4" size bottom outlet only
- Rante Arrow
- Catch Basin Only
- Catch Basin Bucket, available catch basin only (Specify Galvanized, Plastic or Stainless Steel)
- 6" Horizontal Inlet Cap (For Channel 120 and 130 only)
- 4" Horizontal Inlet Cap

**Note:** This trench drainage system is designed for "on grade applications only", as there are no provisions for a flashing flange or flashing clamp.



DRAWING NUMBER: a9820-CAN  
SIZE: A  
SCALE: NONE  
DATE: 1-4-99  
APPROVED BY:  
CHECKED BY:  
DRAWN BY: CMB  
FIGURE NUMBER: 9820

WE CAN ASSUME NO RESPONSIBILITY FOR USE OF SUPERSEDED OR VOID DATA  
DIMENSIONS ARE SUBJECT TO MANUFACTURERS TOLERANCE AND CHANGE WITHOUT NOTICE

REV.	DATE	DESCRIPTION	BY	CKD. BY	WEIGHT POUNDS	VOLUME CUBIC FEET	FIGURE NUMBER
E D	9-27-07 6-15-07	Revised Drawing Rev. Function	JJ RN	MD PJ			<b>9820</b>



# JAY R. SMITH CO.

PLUMBING & DRAINAGE PRODUCTS

959 Alness Street, North York, Ontario M3J 2J1

TEL: (416) 736-9610 FAX: (416) 736-3789

LOCATION

B

DRAWING NUMBER  
a9820BS-CAN

SIZE  
A

SCALE:  
NONE

DATE:  
1-4-99

APPROVED BY:

CHECKED BY:

DRAWN BY:  
CMB

**9820BS**

WE CAN ASSUME NO RESPONSIBILITY FOR USE OF SUPERSEDED OR VOID DATA

DIMENSIONS ARE SUBJECT TO MANUFACTURERS TOLERANCE AND CHANGE WITHOUT NOTICE

## 6" WIDE 9820 CHANNEL BRUTE DRAIN SYSTEM w/INTEGRAL CAST IRON RAIL

Channel Number	Deep End	Depth*	Slope	Channel Length	Weight lbs. Channel w/Grates
	in.	mm			
9820-S100-110	7.4	188	0.0	39.38/1m	99
9820-S100-10	7.6	193	0.6	39.38/1m	99
9820-S100-11	7.9	201	0.6	39.38/1m	99
9820-S100-12	8.1	206	0.6	39.38/1m	101
9820-S100-13	8.4	213	0.6	39.38/1m	102
9820-S100-14	8.6	218	0.6	39.38/1m	104
9820-S100-15	8.9	226	0.6	39.38/1m	104
9820-S100-16	9.1	231	0.6	39.38/1m	105
9820-S100-17	9.3	236	0.6	39.38/1m	107
9820-S100-18	9.6	244	0.6	39.38/1m	107
9820-S100-19	9.8	249	0.6	39.38/1m	109
9820-S100-120	9.8	249	0.0	39.38/1m	111
9820-S100-130	12.2	310	0.0	39.38/1m	121

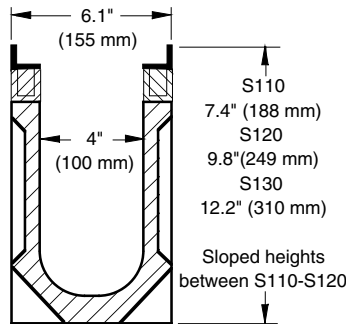


FIGURE NUMBER

B  
A

9-28-07  
9-5-02

Revised Drawing  
Added New ACO Logo

JJ  
RN

MD  
PJ

WEIGHT  
POUNDS

VOLUME  
CUBIC FEET

FIGURE NUMBER

**9820BS**