



JAY R. SMITH inc.

PLUMBING & DRAINAGE PRODUCTS

959 Alness Street, North York, Ontario M3J 2J1
 TEL: (416) 736-9610 FAX: (416) 736-3789

LOCATION

DRAWING NUMBER
S2010-WF-1A-CAN

SIZE
A

SCALE:
NONE

DATE:
11-7-97

APPROVED BY:
McD

CHECKED BY:
JM

DRAWN BY:
EMB

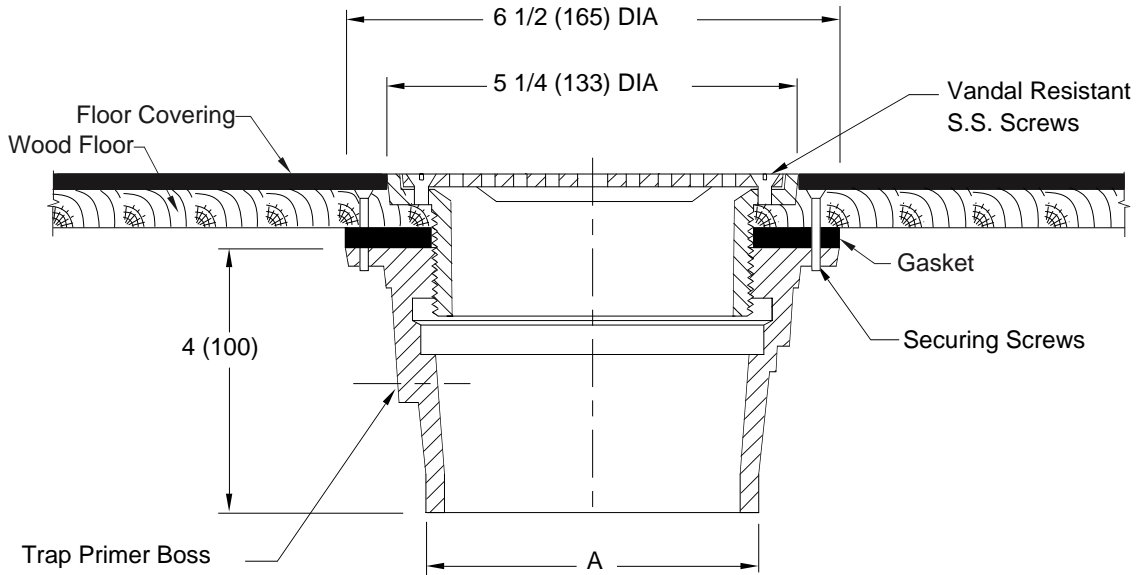
2010-WF-1A-CAN

FIGURE NUMBER

WE CAN ASSUME NO RESPONSIBILITY FOR USE OF SUPERSEDED OR VOID DATA

DIMENSIONS ARE SUBJECT TO MANUFACTURERS TOLERANCE AND CHANGE WITHOUT NOTICE

DRAIN FOR WOOD FLOORS



NO-HUB OUTLET

A (Pipe Size) = 02 (50), 03 (80), 04 (110)

REGULARLY FURNISHED:

Duco Cast Iron Body with Adjustable Cast Iron Strainer Head and Grate.

VARIATIONS:

1/2" Trap Primer connection P-050

OPTIONAL MATERIAL:

Nickel Bronze

REV.	DATE	DESCRIPTION	BY	CKD. BY

WEIGHT POUNDS	VOLUME CUBIC FEET

FIGURE NUMBER
2010-WF-1A-CAN