



JAY R. SMITH CO.
PLUMBING & DRAINAGE PRODUCTS
 959 Alness Street, North York, Ontario M3J 2J1
 TEL: (416) 736-9610 FAX: (416) 736-3789

LOCATION

DRAWING NUMBER
S2005(-K)-CAN

SIZE
A

SCALE:
NONE

DATE:
12-1-08

APPROVED BY:
CEL

CHECKED BY:
CL

DRAWN BY:
RN

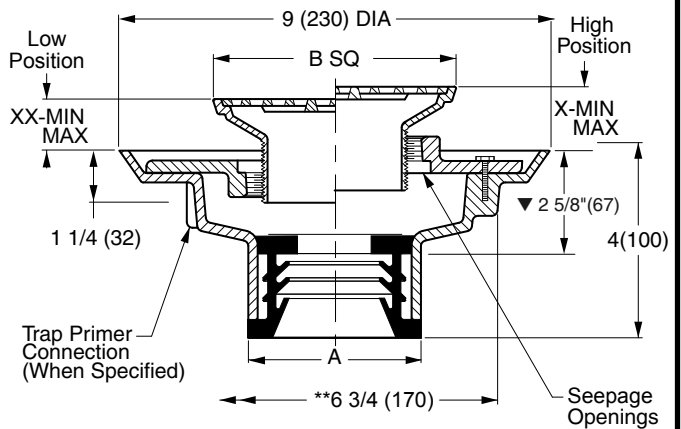
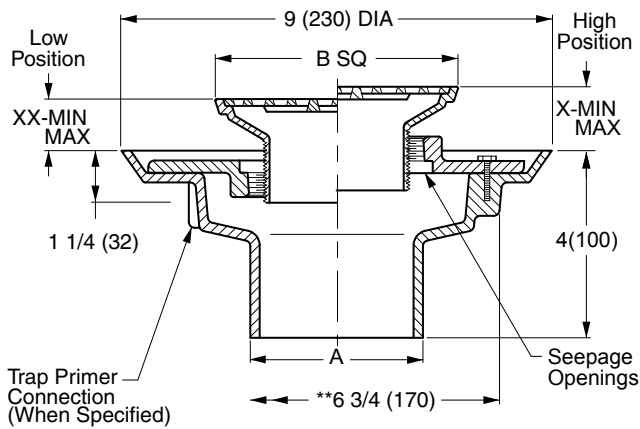
2005(-K)

WE CAN ASSUME NO RESPONSIBILITY FOR USE OF SUPERSEDED OR VOID DATA

FLOOR OR SHOWER DRAINS

WITH REINFORCED SQUARE ADJUSTABLE STRAINER HEAD

FUNCTION: General service floor drain for use in finished floors where some light wheeled traffic is anticipated. The square top is particularly adaptable to floors that are finished in material of square or straight line pattern. Reversible flashing collar permits adjustment of the strainer to meet finished floor level.



A (Pipe Size) = 02(50), 03(75), 04(100), 05(125) or 06(150)

NO-HUB OUTLET
 Fig. 2005Y(-K)

SPEEDI-SET OUTLET
 Fig. 2005L(-K)

Strainer Size B SQ	*Collar In High Position X		*Collar In Low Position XX		Free Area SQ IN (SQ CM) SQUARE
	MIN	MAX	MIN	MAX	
05 (125)	1 1/4(32)	2 1/4(57)	3/4(19)	1 5/8(41)	6.5(42)
06 (150)	1 1/4(32)	2 1/4(57)	3/4(19)	1 5/8(41)	12.5(81)
07 (180)	1 1/4(32)	2 1/4(57)	7/8(22)	1 7/8(48)	11(71)
08 (205)	1 1/2(38)	2 1/2(64)	1(25)	1 7/8(48)	14(90)

▼ This dimension to internal stop of speedi-set gasket.
 * Collar is reversible to obtain extreme high and low strainer positions.
 ** MIN 6 3/4"(170) hole required for core drilled application.

REGULARLY FURNISHED:
 Duco Cast Iron Body with Flashing Collar and Reinforced Square Adjustable Strainer Head.

NOTE: Dimensions shown in parentheses are in millimeters.

- VARIATIONS:**
- L Speedi-Set Service Weight 2(50), 3(75) & 4"(100) only
 - LXH Speedi-Set Extra Heavy 2(50), 3(75) & 4"(100) only
 - Sediment Bucket -B
 - Trap Primer Connection -P050 1/2" (13) & -P075 3/4" (19)
 - Vandal Proof Screws -U
 - Wide Flanged Strainer (Specify Fig. DX2005)
 - T Threaded Outlet

- OPTIONAL MATERIALS:**
- Bronze Body -BB
 - Chrome Plated Strainer -CP
 - Galvanized Cast Iron Body -G
 - Nickel Bronze Strainer -NB
 - Polished Bronze Strainer -PB

REV.	DATE	DESCRIPTION	BY	CKD.

WEIGHT POUNDS	VOLUME CUBIC FEET	FIGURE NUMBER 2005(-K)
---------------	-------------------	----------------------------------