



JAY R. SMITH CO.
 PLUMBING & DRAINAGE PRODUCTS
 959 Alness Street, North York, Ontario M3J 2J1
 TEL: (416) 736-9610 FAX: (416) 736-3789

LOCATION

FLOOR DRAIN WITH HUB ADAPTOR

DRAWING NUMBER
S2005-Hub

SIZE
A

SCALE:
NONE

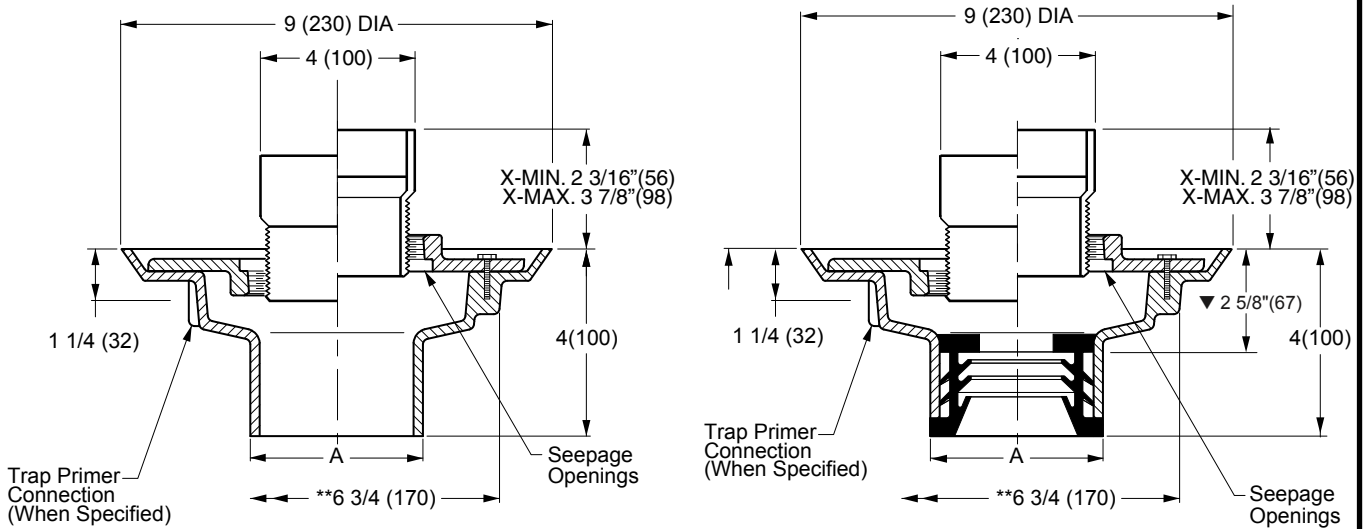
DATE:
05/18/07

APPROVED BY:
AM

CHECKED BY:
AM

DRAWN BY:
JJ

WE CAN ASSUME NO RESPONSIBILITY FOR USE OF SUPERSEDED OR VOID DATA



A (Pipe Size) = 02(50), 03(75), 04(100), 05(125) or 06(150)

NO-HUB OUTLET
 Fig. 2005Y.....w/Hub

SPEEDI-SET OUTLET
 Fig. 2005L.....w/Hub

* Collar is reversible to obtain extreme high and low strainer positions.
 ** MIN 6 3/4"(170) hole required for core drilled application.

REGULARLY FURNISHED:
 Duco Cast Iron Body with Flashing Collar and Adjustable Cast Iron Soil Pipe Hub Adaptor.

NOTE: Dimensions shown in parentheses are in millimeters.
 ▲ Meets ASME Standard A112.6.3-2001 02(50), 03(75) or 04"(100) sizes only.

- VARIATIONS**
- L Speedi-Set Service Weight 2(50), 3(75) & 4"(100) only
 - LXH Speedi-Set Extra Heavy 2(50), 3(75) & 4"(100) only
 - Trap Primer Connection -P050
 - 1/2" (13) & -P075 3/4" (19)
 - T Threaded Outlet
 - Squeeze In Backwater Valve -V

- OPTIONAL MATERIALS:**
- Bronze Body -BB
 - Galvanized Cast Iron Body -G
 - Nickle Bronze Hub Adaptor -NB

2005-Hub

FIGURE NUMBER

REV.	DATE	DESCRIPTION	BY	CKD.

WEIGHT POUNDS	VOLUME CUBIC FEET

FIGURE NUMBER
2005-Hub