



JAY R. SMITH CO.
PLUMBING & DRAINAGE PRODUCTS
 959 Alness Street, North York, Ontario M3J 2J1
 TEL: (416) 736-9610 FAX: (416) 736-3789

LOCATION

FLOOR DRAIN WITH HUB ADAPTOR

DRAWING NUMBER
S2005 w/2645-CAN

SIZE
A

SCALE:
NONE

DATE:
11-28-06

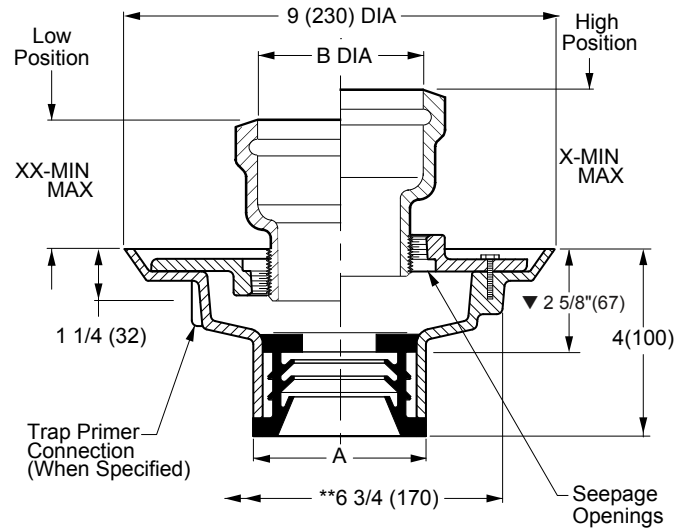
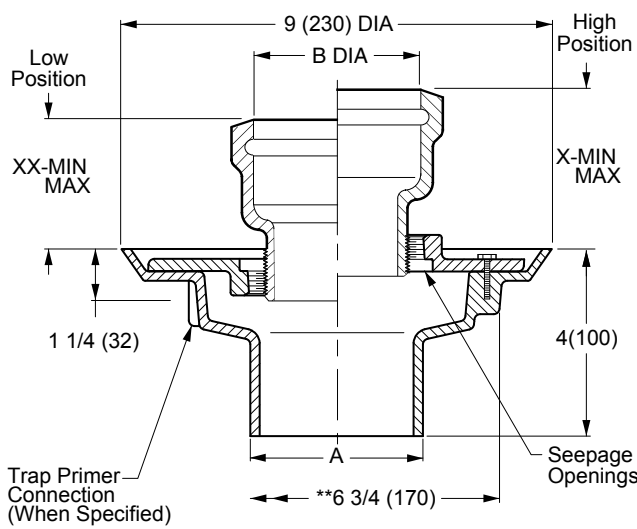
APPROVED BY:
AM

CHECKED BY:
AM

DRAWN BY:
RN

FIGURE NUMBER
2005 w/2645-CAN

WE CAN ASSUME NO RESPONSIBILITY FOR USE OF SUPERSEDED OR VOID DATA



A (Pipe Size) = 02(50), 03(75), 04(100), 05(125) or 06(150)

NO-HUB OUTLET
 Fig. 2005Y.....w/2645

SPEEDI-SET OUTLET
 Fig. 2005L.....w/2645

* Collar is reversible to obtain extreme high and low strainer positions.
 ** MIN 6 3/4"(170) hole required for core drilled application.

*Collar in High Position		*Collar in Low Position		Adaptor Size	
X		XX		B	
MIN	MAX	MIN	MAX		
3 1/2 (89)	4 5/8 (117)	3 (76)	4 1/8 (105)	03 (80) or 04 (100)	

REGULARLY FURNISHED:
 Duco Cast Iron Body with Flashing Collar and Adjustable Cast Iron Soil Pipe Hub Adaptor.

- VARIATIONS**
- L Speedi-Set Service Weight 2(50), 3(75) & 4"(100) only
 - LXH Speedi-Set Extra Heavy 2(50), 3(75) & 4"(100) only
 - Trap Primer Connection -P050 1/2" (13) & -P075 3/4" (19)
 - T Threaded Outlet
 - Squeeze In Backwater Valve -V

- OPTIONAL MATERIALS:**
- Bronze Body -BB
 - Galvanized Cast Iron Body -G
 - Nickle Bronze Hub Adaptor -NB

NOTE: Dimensions shown in parentheses are in millimeters.
 ▲ Meets ASME Standard A112.6.3-2001 02(50), 03(75) or 04"(100) sizes only.

REV.	DATE	DESCRIPTION	BY	CKD.
C	5-07-07	Rev. Var.	JJ	AM
B	4-24-07	Rev. B DIM.	RN	AM
A	11-30-06	Rev. Reg. Fun. & Opt. Mat's.	RN	AM

WEIGHT POUNDS
 VOLUME CUBIC FEET

FIGURE NUMBER
2005 /2645