

ROOF ACCESSORY

EXPANSION JOINT

FUNCTION: Used with all types of vertical drainage conductors, leaders, stacks, vent or soil lines, where contraction and expansion movements must be compensated for to prevent rupturing of lines and damage to the building construction.

NOTE-USE IN VERTICAL INSTALLATION ONLY

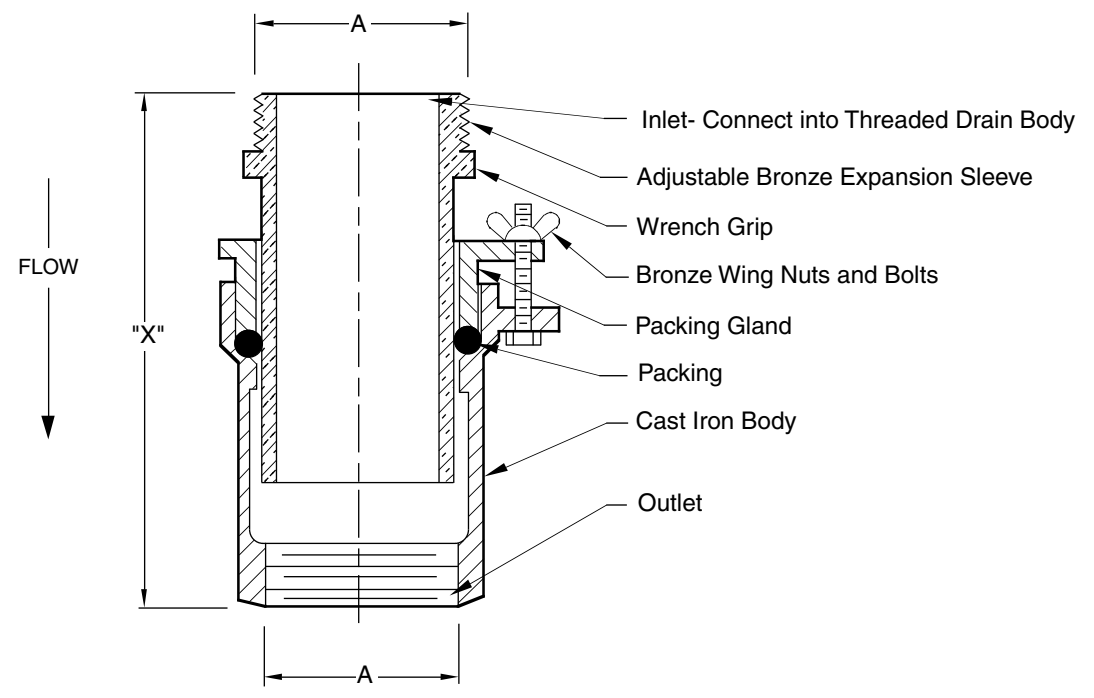


Fig. 1710T THREADED OUTLET

A SIZE	"X"	
	MIN	MAX
02 (50)	7 5/16 (186)	9 3/4 (250)
03 (75)	7 11/16 (195)	9 3/4 (250)
04 (100)	7 11/16 (196)	9 3/4 (250)
05 (125)	8 3/4 (220)	10 5/16 (262)
06 (150)	8 3/8 (213)	10 1/4 (260)
08 (200)	8 5/8 (219)	11 1/16 (281)

*02" (50) not available. (For 2" (51) leaders, a 03" (75)-1710 will be provided with a 02" (50) threaded connection in outlet of cast iron body. This requires using a 03" (75) drain body.)

NOTE: Must be installed in vertical installation only.

NOTE: Dimensions shown in parentheses are in millimeters.

REGULARLY FURNISHED:
 Duco Cast Iron Body with Adjustable Bronze Expansion Sleeve and Bronze Bolts and Wing Nuts.

VARIATIONS

Spigot Adaptor -S
 NO-HUB Adaptor
 (Specify Fig. 2646Y)

OPTIONAL MATERIALS:
 Galvanized Cast Iron -G

DRAWING NUMBER: S1710-CAN
 SIZE: A
 SCALE: NONE
 DATE: 5-24-85
 APPROVED BY: TD
 CHECKED BY: TD
 DRAWN BY: CMB
 FIGURE NUMBER: 1710-CAN
 DIMENSIONS ARE SUBJECT TO MANUFACTURERS TOLERANCE AND CHANGE WITHOUT NOTICE
 WE CAN ASSUME NO RESPONSIBILITY FOR USE OF SUPERSEDED OR VOID DATA

F	8-20-99	Revised Table	TBW	BS	WEIGHT POUNDS	VOLUME CUBIC FEET	FIGURE NUMBER <h1 style="margin:0;">1710-CAN</h1>
E	6-16-99	Revised Millimeters	CMD	BS			
D	5-30-95	Added Millimeters	EMB	BS			
C	6-11-93	Submittal Update	EMB	BS			
B	9/91	Added Note Regarding 2" Size	CMB	JCS			
REV.	DATE	DESCRIPTION	BY	CKD. BY			