



JAY R. SMITH CO.
PLUMBING & DRAINAGE PRODUCTS
 959 Alness Street, North York, Ontario M3J 2J1
 TEL: (416) 736-9610 FAX: (416) 736-3789

LOCATION

SCUPPER DRAINS

DOWNSPOUT ADAPTOR

FUNCTION: Used in conjunction with scupper drains. Downspout adaptor is used to connect outside downspout to side outlet (90°) drains.

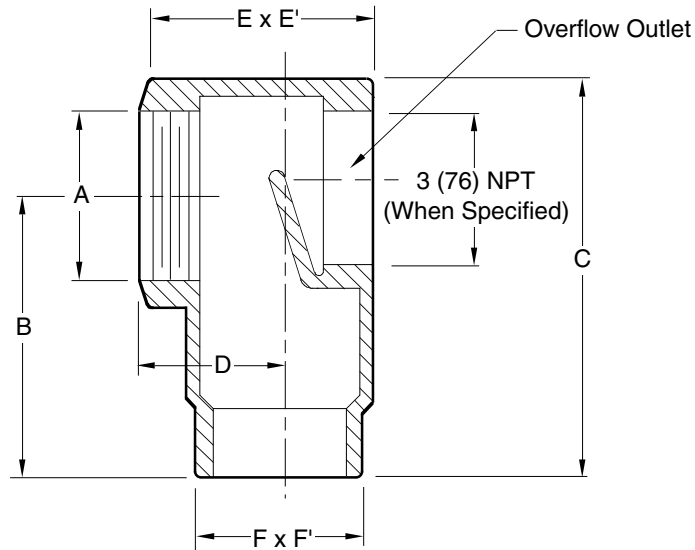


Fig. 1550T DOWNSPOUT ADAPTOR

| A SIZE | B | C | D | E X E' | F X F' |
|-----------------------------|----------------|----------------|---------------|--------------------------------|-----------------------|
| 02(50), 03(75) & 04(100) | 4 3/4 (120) | 7 1/4 (185) | 2 3/4 (70) | 4 1/4 x 5 3/4 (110) x (145) | 3 x 5 (76) x (125) |

REGULARLY FURNISHED:
 Duco Cast Iron.

VARIATIONS:
 Tapped 3" (76) NPT -T3
 (When Specified)

OPTIONAL MATERIALS:
 Galvanized Cast Iron -G

NOTE: Dimensions shown in parentheses are in millimeters.

DRAWING NUMBER
S1550-CAN

SIZE
A

SCALE:
NONE

DATE:
5-24-85

APPROVED BY:
TD

CHECKED BY:
TD

DRAWN BY:
PL

1550-CAN

FIGURE NUMBER

WE CAN ASSUME NO RESPONSIBILITY FOR USE OF SUPERSEDED OR VOID DATA

DIMENSIONS ARE SUBJECT TO MANUFACTURERS TOLERANCE AND CHANGE WITHOUT NOTICE

| REV. | DATE | DESCRIPTION | BY | CKD. BY | WEIGHT POUNDS | VOLUME CUBIC FEET | FIGURE NUMBER |
|------|---------|---------------------|-----|---------|------------------|----------------------|-----------------|
| D | 6-16-99 | Revised Millimeters | CMD | BS | | | 1550-CAN |
| C | 4-7-97 | Added Millimeters | EMB | BS | | | |
| B | 6-30-94 | Revised | EMB | BS | | | |
| A | 6-7-93 | Submittal Update | EMB | BS | | | |