

J



JAY R. SMITH CO.

PLUMBING & DRAINAGE PRODUCTS

959 Alness Street, North York, Ontario M3J 2J1

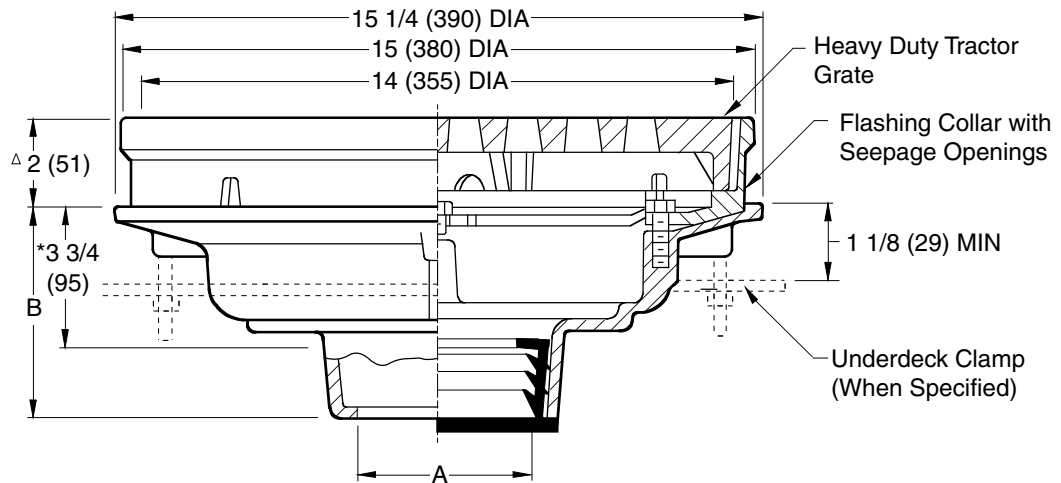
TEL: (416) 736-9610 FAX: (416) 736-3789

LOCATION

HEAVY DUTY ROOF DRAIN FOR PARKING AREA

FUNCTION: Used in heavy traffic areas, such as parking decks, where waste water contains no sediment or debris and construction requires a shallow body. Large top area permits use where high flow is anticipated.

Free Area
45 SQ IN
(290) SQ CM



Δ add 1/4" (6) when bronze top is specified.

Fig. 1416C CAULK OUTLET
 Fig. 1416Y NO-HUB OUTLET

recommended deck opening

with suffix -R	17 (430) DIA
less Suffix -R	14 (355) DIA

A SIZE	02 (50)	03 (75)	04 (100)	05 (125)	06 (150)	08 (200)
B	5 (125) for Caulk, NO-HUB and Speedi-Set					7 3/4 (195)
	3 3/4 (95) for Threaded					

*This Dimension to Internal Stop of Speedi-Set Gasket.

REGULARLY FURNISHED:

Duco Cast Iron Body, Flashing Collar and Heavy Duty Tractor Grate.

VARIATIONS:

- Dome Grate -D
- "L" Shaped Underdeck Clamp -CL
- L Speedi-Set Service Weight
02(50), 03(75) & 04"(100) sizes only
- LXH Speedi-Set Extra Heavy
02(50), 03(75) & 04"(100) sizes only
- Square Top -S
- Sump Receiver -R
- Underdeck Clamp -C
- Vandal Proof -U
- T Threaded Outlet

OPTIONAL MATERIALS:

- Ductile Iron Grate -M
- Galvanized Cast Iron -G
- Galvanized Cast Iron Dome -CIDG
- Nickel Bronze Top -NB
- Polished Bronze Top -PB

NOTE: Floor drains or area drains used to drain areas subject to rainfall should have an open area equal to twice the cross sectional area of the connecting pipe.

DRAWING NUMBER
S1416-CAN

SIZE
A

SCALE:
NONE

DATE:
10-6-86

APPROVED BY:
JD

CHECKED BY:
VGD

DRAWN BY:
WAS

FIGURE NUMBER
1416-CAN

WE CAN ASSUME NO RESPONSIBILITY FOR USE OF SUPERSEDED OR VOID DATA

DIMENSIONS ARE SUBJECT TO MANUFACTURERS TOLERANCE AND CHANGE WITHOUT NOTICE

J	2-2-01	Rev. Opt. Mat.	RN	BS
H	5-26-99	Rev. Opt. Mat.	CMD	BS
G	6-13-95	Added Millimeters	EMB	BS
F	7-12-94	Revised	EMB	BS
E	6-3-93	Submittal Update	EMB	BS
D	5-10-93	Rev and Redrawn	EMB	BS
REV.	DATE	DESCRIPTION	BY	CKD. BY

WEIGHT POUNDS	VOLUME CUBIC FEET	FIGURE NUMBER 1416-CAN
------------------	----------------------	----------------------------------