



# JAY R. SMITH inc.

PLUMBING & DRAINAGE PRODUCTS

959 Alness Street, North York, Ontario M3J 2J1  
 TEL: (416) 736-9610 FAX: (416) 736-3789

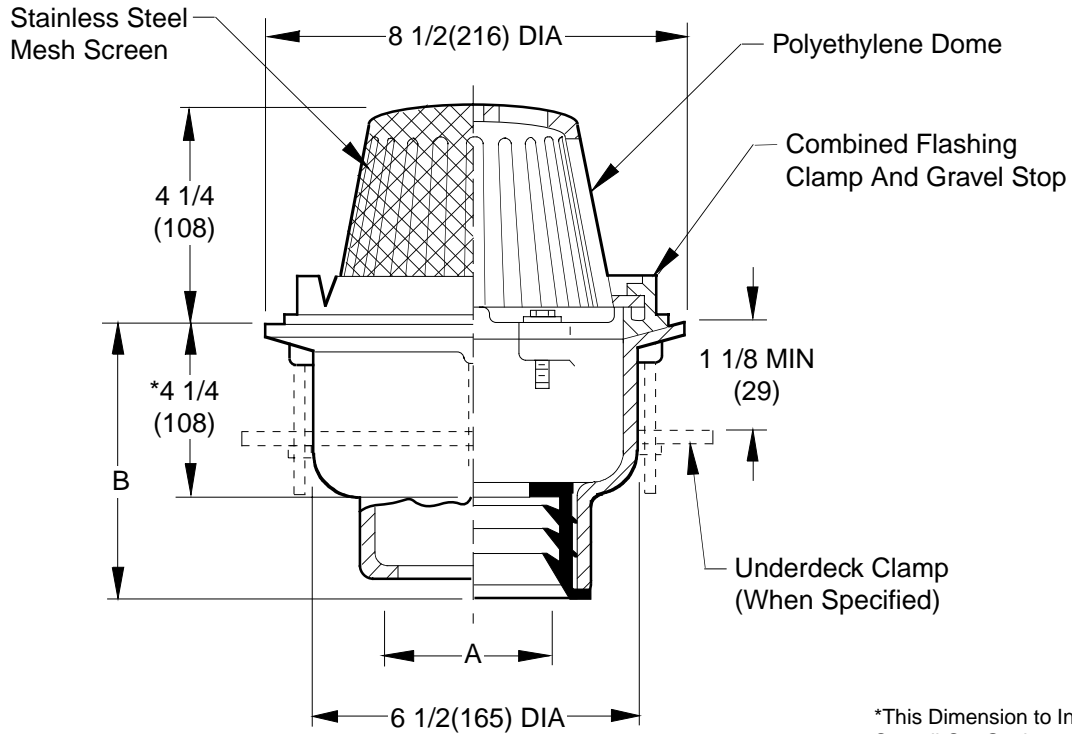
LOCATION

## GENERAL PURPOSE ROOF DRAIN

### 8 1/2" DIAMETER - LOW PROFILE DOME

**FUNCTION:** Used in flat roofs, gutters or valleys of any construction. Small diameter pan is particularly adaptable to gutters and valleys where limited space is available. Flashing clamp holds flashing and roofing material without puncturing. Low profile dome provides sufficient free area for quick drainage of rain water and protects the drain sump and connecting piping from the intrusion of debris.

Free Area  
41.5 SQ IN



\*This Dimension to Internal Stop of Speedi-Set Gasket.

- Fig. 1330C. . . . .CAULK REGULAR
- Fig. 1330Y. . . . .NO-HUB

**REGULARLY FURNISHED:**

Duco Cast Iron Body with Combined Flashing Clamp and Gravel Stop with Polyethylene Dome with Stainless Steel Mesh Screen.

**VARIATIONS:**

- Underdeck Clamp -C
- Secondary Flashing Clamp -C2
- Extension (Specify Height)
- Sump Receiver -R
- Expansion Joint (Specify Fig. 1710)
- 2" High Solid Water Dam
- Vandal Proof Dome -U
- L Speedi-Set Service Weight (2, 3 & 4" sizes only)
- LXH Speed-Set Extra Heavy (2, 3 & 4" sizes only)
- T Threaded Outlet
- C Inside Caulk Outlet
- Y NO-HUB Outlet
- "L" Shaped Underdeck Clamp -CL
- Q SS Mesh Over Dome

**OPTIONAL MATERIALS:**

- Galvanized Cast Iron -G
- Cast Iron Dome -CID
- Rough Bronze Dome -RBD
- Aluminum Dome -A

A SIZE	02	03	04
B	5 1/2 For Caulk, NO-HUB and Speedi-Set.		
	4 1/4 for Threaded.		

recommended deck opening	
with suffix -R	9 Dia.
less suffix -R	7 3/4 Dia.

DRAWING NUMBER  
I-1-125-CAN

SIZE  
A

SCALE:  
NONE

DATE:  
3-18-93

APPROVED BY:

CHECKED BY:

DRAWN BY:  
CMB

1330-Q-AWS-Y-CAN

WE CAN ASSUME NO RESPONSIBILITY FOR USE OF SUPERSEDED OR VOID DATA

DIMENSIONS ARE SUBJECT TO MANUFACTURERS TOLERANCE AND CHANGE WITHOUT NOTICE

FIGURE NUMBER

REV.	DATE	DESCRIPTION	BY	CKD. BY

WEIGHT POUNDS	VOLUME CUBIC FEET	FIGURE NUMBER
		<b>1330-Q-AWS-Y-CAN</b>