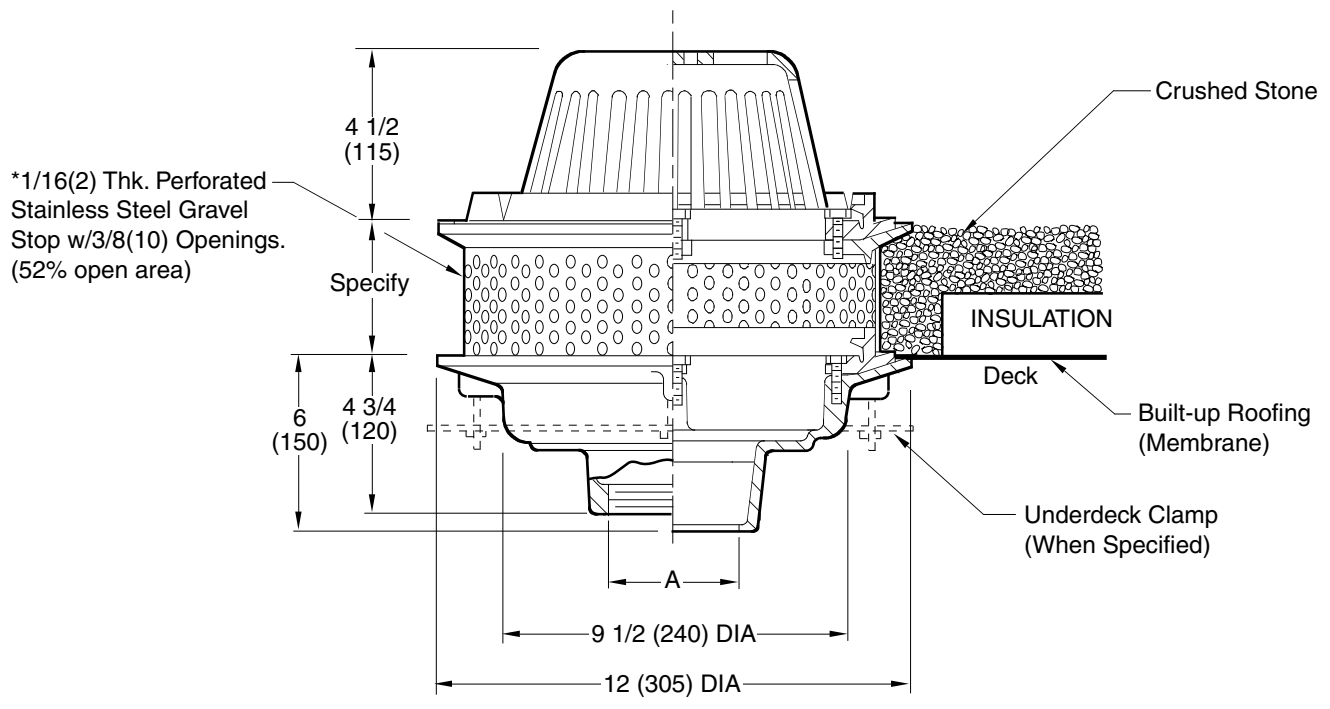


ROOF DRAIN

FOR INSULATED "BUILT-UP" MEMBRANE ROOFS



A (Pipe Size) = 02(50), 03(80), 04(100), 05(125) or 06(150)

- Fig. 1317C CAULK OUTLET
- Fig. 1317T THREADED OUTLET

recommended deck opening
 with suffix -R 13(330) DIA
 less suffix -R 11(280) DIA

REGULARLY FURNISHED:
 Duco Cast Iron Body with Flashing Clamp, Perforated Stainless Steel Extension, Gravel Stop and Polyethylene Dome.

NOTE: Dimensions shown in parentheses are in millimeters.

- VARIATIONS:**
- Expansion Joint (Specify Fig. 1710)
 - L Speedi-Set Service Weight 02(50), 03(80) & 04"(100) sizes only
 - LXH Speedi-Set Extra Heavy 02(50), 03(80) & 04"(100) sizes only
 - Y NO-HUB
 - Sump Receiver -R
 - Underdeck Clamp -C

- OPTIONAL MATERIALS:**
- Aluminum Dome -AD
 - Cast Iron Dome -CID
 - Galvanized Cast Iron -G
 - Rough Bronze Dome -RBD

DRAWING NUMBER S1317-CAN
 SIZE A
 SCALE: NONE
 DATE: 2-1-82
 APPROVED BY: KG
 CHECKED BY: JM
 DRAWN BY: KG
 FIGURE NUMBER 1317-CAN

WE CAN ASSUME NO RESPONSIBILITY FOR USE OF SUPERSEDED OR VOID DATA
 DIMENSIONS ARE SUBJECT TO MANUFACTURERS TOLERANCE AND CHANGE WITHOUT NOTICE

REV.	DATE	DESCRIPTION	BY	CKD. BY	WEIGHT POUNDS	VOLUME CUBIC FEET	FIGURE NUMBER <h1 style="margin: 0;">1317-CAN</h1>