



JAY R. SMITH inc.

PLUMBING & DRAINAGE PRODUCTS

959 Alness Street, North York, Ontario M3J 2J1

TEL: (416) 736-9610 FAX: (416) 736-3789

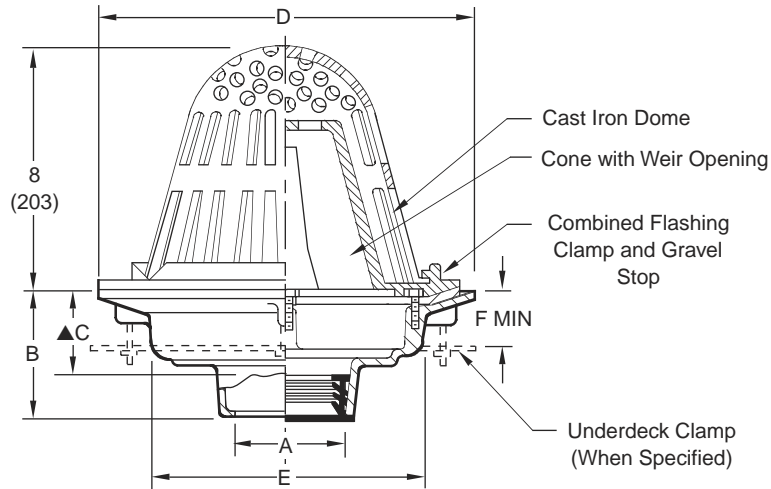
LOCATION

LARGE SPECIAL PURPOSE ROOF DRAINS

RAINTROL® ROOF DRAIN FLAT OR SLOPED ROOF DESIGN

FUNCTION: Used to control the flow of rain water off a roof. Trapezoidal weir limits the flow to the leader.

Free Area
122 SQ IN



- Fig. 1083C... CAULK OUTLET
- Fig. 1083Y ... NO-HUB OUTLET
- Fig. 1083T. ... THREADED OUTLET

▲ This dimension to internal stop of Speedi-Set gasket

recommended deck opening		
outlet size	with suffix-R	less suffix-R
02,03,04 (50, 75, 100)	17 DIA (432)	14 DIA (356)

A SIZE	B (BOTTOM OUTLET)		C	D DIA	E DIA	F MIN	FREE AREA SQ IN
	CAULK, NO-HUB, & SPEEDI-SET▲	THREADED					
02,03,04 (50, 75, 100)	5 (127)	3 3/4 (95)	3 3/4 (95)	15 1/4 (387)	11 (279)	1 1/8 (29)	122 (787 cm ²)

REGULARLY FURNISHED:

Duco Cast Iron Body with Large Sump and Non-Puncturing Flashing Collar and Gravel Stop with Integral Cone with Weir Opening and Large Cast Iron Dome.

VARIATIONS:

- Expansion Joint (See Fig. 1710)
- Extension (Specify Height) -E
- "L" Shaped Underdeck Clamp -CL
- Secondary Flashing Clamp -C2 (Used with Extension Only)
- Galvanized Sump Receiver -R
- Underdeck Clamp -C
- Vandal Proof Dome -U
- T Threaded Outlet

OPTIONAL MATERIALS:

- Galvanized Cast Iron -G

Dimensions shown in parenthesis are in millimeters

DRAWING NUMBER
CAN-1083-CAN

SIZE
A

SCALE:
NONE

DATE:
4-25-94

APPROVED BY:

CHECKED BY:

DRAWN BY:
TWK

1083-CAN

WE CAN ASSUME NO RESPONSIBILITY FOR USE OF SUPERSEDED OR VOID DATA

DIMENSIONS ARE SUBJECT TO MANUFACTURERS TOLERANCE AND CHANGE WITHOUT NOTICE

REV.	DATE	DESCRIPTION	BY	CKD. BY

WEIGHT POUNDS	VOLUME CUBIC FEET

FIGURE NUMBER
1083-CAN