



# JAY R. SMITH CO.

PLUMBING & DRAINAGE PRODUCTS

959 Alness Street, North York, Ontario M3J 2J1  
 TEL: (416) 736-9610 FAX: (416) 736-3789

LOCATION

P

DRAWING NUMBER  
S1070-CAN

SIZE  
A

SCALE:  
NONE

DATE:  
5-24-85

APPROVED BY:  
TD

CHECKED BY:  
TD

DRAWN BY:  
CR

1070-CAN

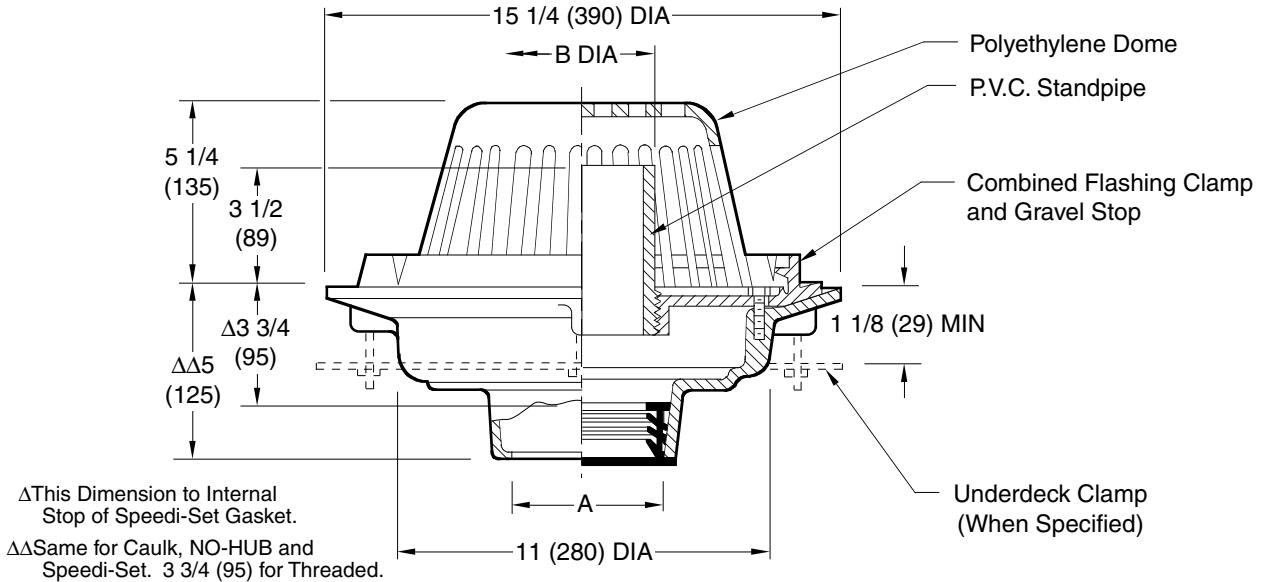
WE CAN ASSUME NO RESPONSIBILITY FOR USE OF SUPERSEDED OR VOID DATA

## SPECIAL PURPOSE ROOF DRAINS

### OVERFLOW STANDPIPE TYPE

**FUNCTION:** Used in flat roofs of any construction where a constant height of water is desired on the roof. It is also used on conventional roofs as a safety overflow, which receives water only when the build-up is greater than the setting of the standpipe. Standpipe type water dam can be cut to achieve various water depths on the roof.

Free Area  
102.5 SQ IN  
(661) SQ CM



Δ This Dimension to Internal Stop of Speedi-Set Gasket.  
 ΔΔ Same for Caulk, NO-HUB and Speedi-Set. 3 3/4 (95) for Threaded.

A(Pipe Size)	02(50)	03(75)	04(100)	05(125)	06(150)	08(200)
B (DIA)	4(100)	4(100)	4(100)	6(150)	6(150)	8(200)

recommended deck opening

with suffix -R	17 (430) DIA
less Suffix -R	14 (355) DIA

- Fig. 1070C . . . . CAULK OUTLET
- Fig. 1070Y . . . . NO-HUB OUTLET

**REGULARLY FURNISHED:**  
 Duco Cast Iron Body, Flashing Clamp and Gravel Stop with Polyethylene Dome, and P.V.C. Standpipe.

- VARIATIONS:**
- Adjustable Extension(Specify Fig. 1045)
  - Expansion Joint (Specify Fig. 1710)
  - Extension (Specify Height) -E
  - "L" Shaped Underdeck Clamp -CL
  - L Speedi-Set Service Weight  
02(50), 03(75) & 04(100) sizes only
  - LXH Speedi-Set Extra Heavy  
02(50), 03(75) & 04(100) sizes only
  - Secondary Flashing Clamp -C2
  - Sump Receiver -R
  - Underdeck Clamp -C
  - Vandal Proof Dome -U
  - T Threaded Outlet

- OPTIONAL MATERIALS:**
- Aluminum Dome -AD
  - Bronze Standpipe -BZS
  - Cast Iron Dome -CID
  - Cast Iron Standpipe -CIS
  - Galvanized Cast Iron Body and Collar -G
  - Galvanized Cast Iron Dome -CIDG
  - Rough Bronze Dome -RBD

**NOTE:** Dimensions shown in parentheses are in millimeters.

FIGURE NUMBER	P N M L	3-6-07 07/20/05 5-26-99 1-24-97	Revised Chart Revised Variations Revised Opt. Mat. Revised	RN JJ CMD CMD	TK CL BS BS	WEIGHT POUNDS	VOLUME CUBIC FEET	FIGURE NUMBER
REV.	DATE	DESCRIPTION	BY	CKD. BY				<b>1070-CAN</b>