



JAY R. SMITH inc.
PLUMBING & DRAINAGE PRODUCTS

959 Alness Street, North York, Ontario M3J 2J1
 TEL: (416) 736-9610 FAX: (416) 736-3789

LOCATION

DRAWING NUMBER
S1017-83 Series CAN

SIZE
A

SCALE:
NONE

DATE:
2-8-95

APPROVED BY:

CHECKED BY:

DRAWN BY:
EMB

1017-83 Series

FIGURE NUMBER

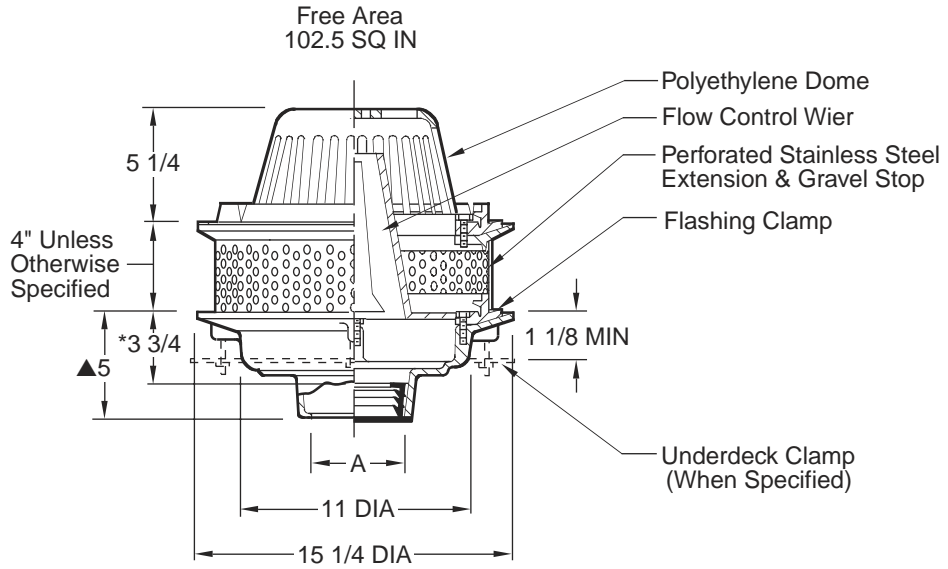
WE CAN ASSUME NO RESPONSIBILITY FOR USE OF SUPERSEDED OR VOID DATA

DIMENSIONS ARE SUBJECT TO MANUFACTURERS TOLERANCE AND CHANGE WITHOUT NOTICE

SPECIAL PURPOSE ROOF DRAIN

RAINTROL® ROOF DRAIN FOR IRMA ROOF APPLICATION

FUNCTION: Used in roof systems where the insulated membrane assembly method of waterproofing is provided and the need to control the flow of rainwater from the roof is required. Used where built-up felt and asphalt waterproofing is installed. A stainless steel extension gravel stop at height specified is supplied to retain the crushed gravel used in IRMA flat roof construction.



A (Pipe Size) = 02, 03, 04, 05 or 06

- Fig. 1017C CAULK OUTLET
- Fig. 1017Y NO-HUB OUTLET

recommended deck opening	
with suffix -R	17 DIA
less suffix -R	14 DIA

*This Dimension to Internal Stop of Speedi-Set Gasket.

▲ Same for Caulk, NO-HUB and Speedi-Set, 3 3/4 for Threaded

REGULARLY FURNISHED:
 Duco Cast Iron Body with Flashing Clamp, Perforated Stainless Steel Extension, Gravel Stop and Polyethylene Dome.

- VARIATIONS:
- Expansion Joint (Specify Fig. 1710)
 - Higher Gravel Stop -HGS (Specify Height)
 - "L" Shaped Underdeck Clamp -CL
 - L Speedi-Set Service Weight (2, 3 & 4" sizes only)
 - LXH Speedi-Set Extra Heavy (2, 3 & 4" sizes only)
 - Sump Receiver -R
 - Underdeck Clamp -C
 - Vandal Proof Dome -U
 - T Threaded Outlet

- OPTIONAL MATERIALS:
- Aluminum Dome -AD
 - Cast Iron Dome -CID
 - Galvanized Cast Iron -G
 - Rough Bronze Dome -RBD

REV.	DATE	DESCRIPTION	BY	CKD. BY	WEIGHT POUNDS	VOLUME CUBIC FEET	FIGURE NUMBER
							1017-83 Series