

K



JAY R. SMITH CO.

PLUMBING & DRAINAGE PRODUCTS

959 Alness Street, North York, Ontario M3J 2J1

TEL: (416) 736-9610 FAX: (416) 736-3789

LOCATION

DRAWING NUMBER
S1015-CANSIZE
ASCALE:
NONEDATE:
12-19-84APPROVED BY:
JDCHECKED BY:
VGDDRAWN BY:
CMB

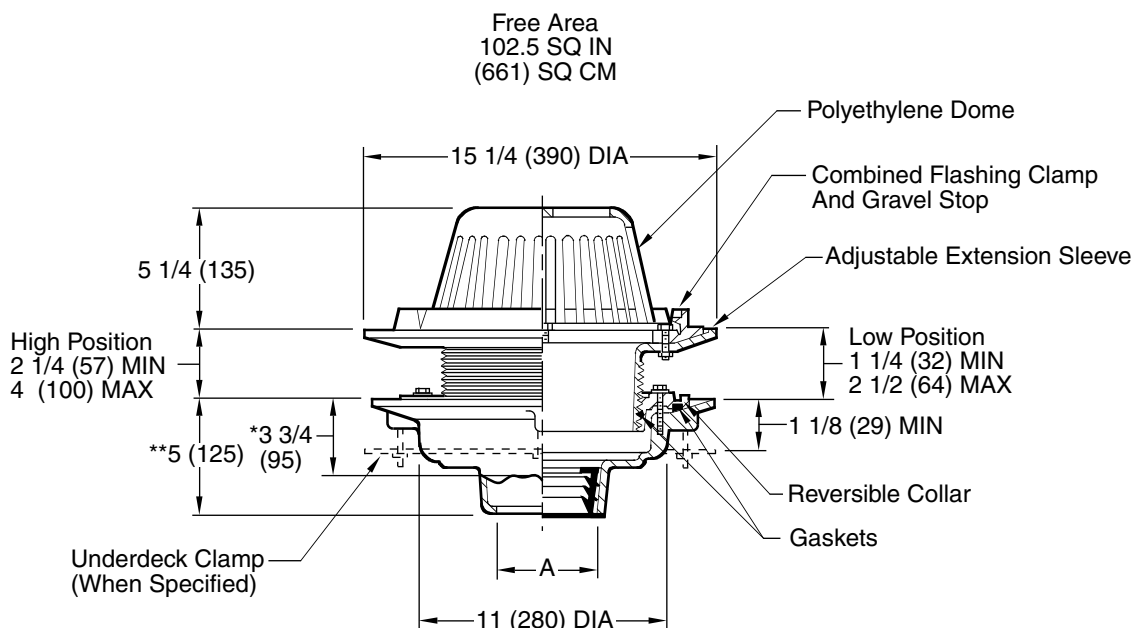
1015-CAN

WE CAN ASSUME NO RESPONSIBILITY FOR USE OF SUPERSEDED OR VOID DATA
DIMENSIONS ARE SUBJECT TO MANUFACTURERS TOLERANCE AND CHANGE WITHOUT NOTICE

GENERAL PURPOSE ROOF DRAINS

ROOF DRAIN WITH ADJUSTABLE EXTENSION

FUNCTION: Used in flat roofs of any construction. The adjustable extension sleeve permits adjustment from a minimum of 1 1/4" (32) to a maximum of 4" (100), easily accommodating up to 2 3/4" (70) of varying insulation thicknesses. The positive threading allows smooth perimeter movement and circumferential support of the top at any adjusted elevation. Large low profile dome provides sufficient free area for quick drainage of rainwater and protection against debris.



A (Pipe Size) = 02(50), 03(75), 04(100), 05(125) or 06(150)

*This dimension to internal stop of Speedi-Set Gasket
**Same for Caulk, NO-HUB and Speedi-Set, 3 3/4 (95) for Threaded

Fig. 1015C CAULK OUTLET
 Fig. 1015Y NO-HUB OUTLET

recommended deck opening

with suffix -R	17 (430) DIA
less Suffix -R	14 (355) DIA

Note: See reverse side for assembly instructions.

REGULARLY FURNISHED:

Duco Cast Iron Body with Adjustable Extension Sleeve, Reversible Collar, Combined Flashing Clamp and Gravel Stop, with Polyethylene Dome.

VARIATIONS:

- Expansion Joint (Specify Fig. 1710)
- "L" Shaped Underdeck Clamp -CL
- L Speedi-Set Service Weight
02(50), 03(75) & 04(100)" sizes only
- LXH Speedi-Set Extra Heavy
02(50), 03(75) & 04(100)" sizes only
- Secondary Flashing Clamp -C2
- Sump Receiver -R
- Underdeck Clamp -C
- Vandal Proof Dome -U
- Side Outlet Drain (Specify Fig. 1025)
- T Threaded Outlet

OPTIONAL MATERIALS:

- Aluminum Dome -AD
- Cast Iron Dome -CID
- Galvanized Cast Iron -G
- Rough Bronze Dome -RBD

NOTE: Dimensions shown in parentheses are in millimeters.

K	12-15-06	Added Note	RN	CL
J	6-5-06	Revised Dim.	TBW	AM
H	6-12-95	Added Millimeters	EMB	BS
G	6-23-94	Revised	EMB	BS

WEIGHT
POUNDSVOLUME
CUBIC FEET

FIGURE NUMBER

1015-CAN

REV.	DATE	DESCRIPTION	BY	CKD. BY
------	------	-------------	----	---------

F



JAY R. SMITH CO.

PLUMBING & DRAINAGE PRODUCTS

959 Alness Street, North York, Ontario M3J 2J1

TEL: (416) 736-9610 FAX: (416) 736-3789

LOCATION

DRAWING NUMBER
S1015BS-CAN

SIZE
A

SCALE:
NONE

DATE:
6-29-88

APPROVED BY:
TD

CHECKED BY:
MCD

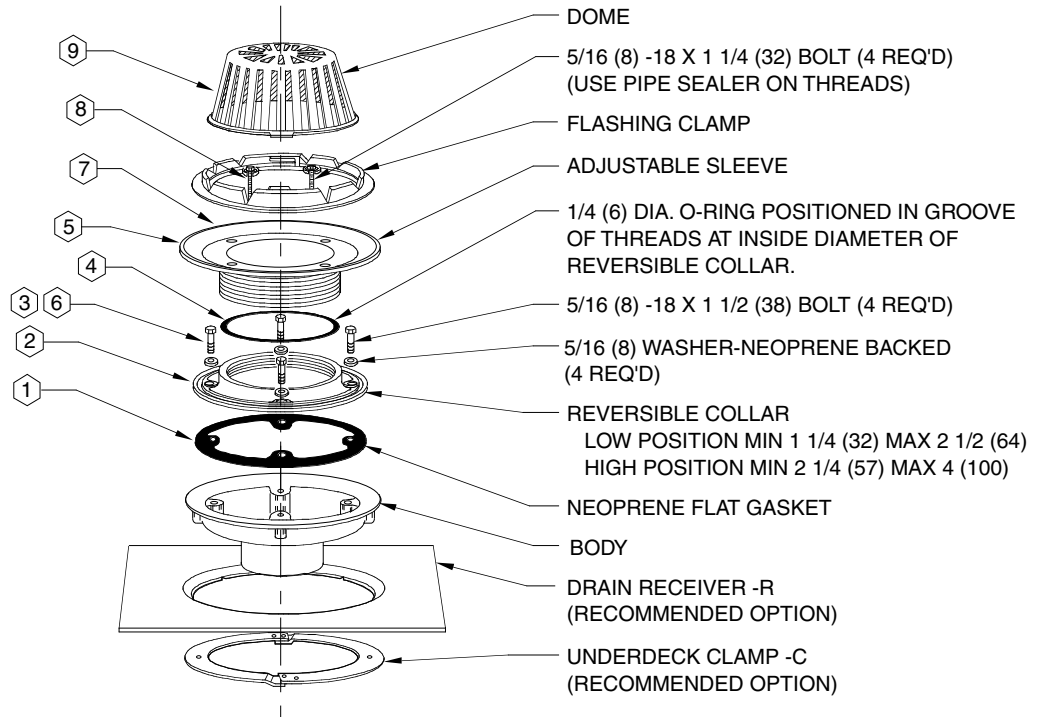
DRAWN BY:
EMB

FIGURE NUMBER
1015BS-CAN

WE CAN ASSUME NO RESPONSIBILITY FOR USE OF SUPERSEDED OR VOID DATA

DIMENSIONS ARE SUBJECT TO MANUFACTURERS TOLERANCE AND CHANGE WITHOUT NOTICE

ADJUSTABLE ROOF DRAIN



- ① Position flat gasket on drain body, align holes in gasket with holes in body.
- ② Determine if reversible collar is to be installed in the low (1 1/4" to 2 1/2") or high (2 1/4" to 4") position.
- ②a Place reversible collar on body and align holes in collar with holes in gasket and body.
- ③ Secure collar to body with 1 1/2" long bolts insuring neoprene backed washers are installed at proper locations between top of reversible collar and bolt head. Tighten bolts in the following manner: 1, 3, 2 & 4. Tighten No. 1 bolt approximately one full turn then No. 3, No. 2 and No. 4 (same manner as for No. 1). Continue this method until reversible ring has been secured evenly all around.
- ④ Wipe "O" Ring recess in reversible collar clean. Insert "O" Ring in groove of threads at inside diameter of reversible collar. Lubricate "O" Ring in it's entirety with the lubricant provided. Lubricate the remaining threads.
- ⑤ Lubricate liberally the entire lead-in chamfer and first 2 threads of the adjustable sleeve. Thread adjustable sleeve into reversible collar and adjust to required height. Do not exceed minimum/maximum adjustment dimensions.
- ⑥ Check bolts a final time to insure tightness.
- ⑦ Run waterproofing membrane over top of adjustable sleeve to inside of bolt circle.
- ⑧ Install flashing clamp and secure with (4) bolts. Again tighten bolts in the 1, 3, 2, 4 manner. (See ③)
- ⑨ Install Dome

NOTE: Dimensions shown in parentheses are in millimeters.

F	12-15-06	Rev. Dwg.	RN	CL	WEIGHT POUNDS	VOLUME CUBIC FEET	FIGURE NUMBER 1015BS-CAN
E	6-14-95	Added Millimeters	EMB	BS			
D	4-12-93	Submittal Update	EMB	BS			
C	6-29-88	Revision	EMB	SJM			
REV.	DATE	DESCRIPTION	BY	CKD. BY			