



JAY R. SMITH inc.

PLUMBING & DRAINAGE PRODUCTS

959 Alness Street, North York, Ontario M3J 2J1
 TEL: (416) 736-9610 FAX: (416) 736-3789

LOCATION

DRAWING NUMBER
S1015-85-CAN

SIZE
A

SCALE:
NONE

DATE:
2-20-01

APPROVED BY:

CHECKED BY:

DRAWN BY:
RN

1015-85-CAN

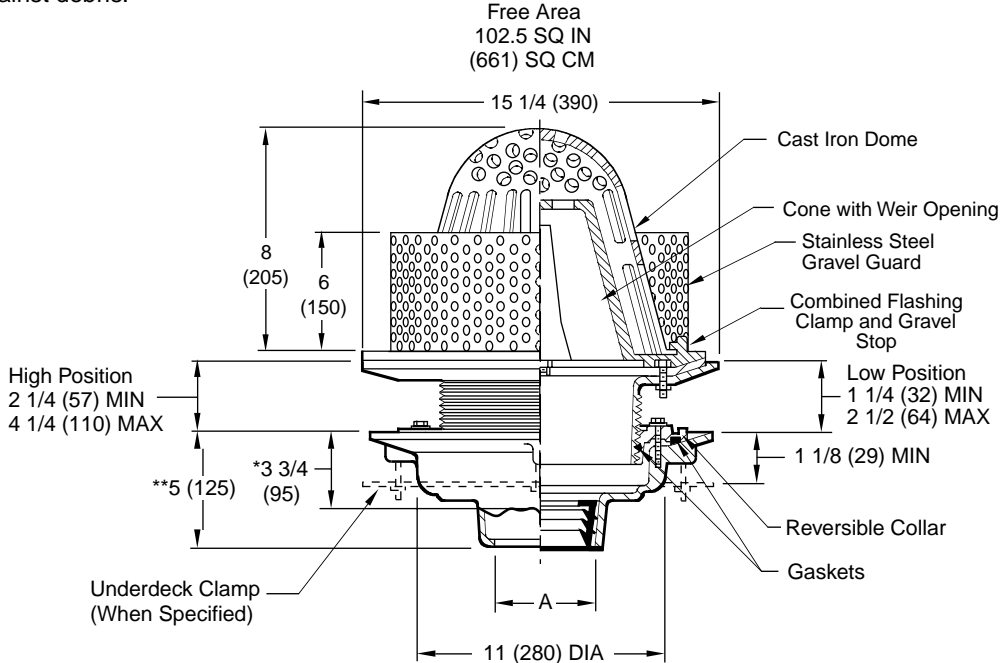
WE CAN ASSUME NO RESPONSIBILITY FOR USE OF SUPERSEDED OR VOID DATA

DIMENSIONS ARE SUBJECT TO MANUFACTURERS TOLERANCE AND CHANGE WITHOUT NOTICE

GENERAL PURPOSE ROOF DRAINS

ROOF DRAIN WITH ADJUSTABLE EXTENSION

FUNCTION: Used in flat roofs of any construction. The adjustable extension sleeve permits adjustment from a minimum of 1 1/4" (32) to a maximum of 4 1/4" (110), easily accommodating up to 3" (76) of varying insulation thicknesses. The positive threading allows smooth perimeter movement and circumferential support of the top at any adjusted elevation. Large low profile dome provides sufficient free area for quick drainage of rainwater and protection against debris.



A (Pipe Size) = 02(50), 03(75), 04(100), 05(125) or 06(150)

- Fig. 1015C CAULK OUTLET
- Fig. 1015Y NO-HUB OUTLET

recommended deck opening

with suffix -R	17 (430) DIA
less Suffix -R	14 (355) DIA

NOTE: Dimensions shown in parentheses are in millimeters.

*This dimension to internal stop of Speedi-Set Gasket
 **Same for Caulk, NO-HUB and Speedi-Set, 3 3/4 (95) for Threaded

REGULARLY FURNISHED:

Duco Cast Iron Body with Adjustable Extension Sleeve, Reversible Collar, Combined Flashing Clamp and Gravel Stop, with Cast Iron Dome.

VARIATIONS:

- Expansion Joint (Specify Fig. 1710)
- "L" Shaped Underdeck Clamp -CL
- L Speedi-Set Service Weight
- LXH Speedi-Set Extra Heavy
- Secondary Flashing Clamp -C2
- Sump Receiver -R
- Underdeck Clamp -C
- Vandal Proof Dome -U
- Side Outlet Drain (Specify Fig. 1025)
- T Threaded Outlet

OPTIONAL MATERIALS:

- Galvanized Cast Iron -G

REV.	DATE	DESCRIPTION	BY	CKD. BY

WEIGHT POUNDS	VOLUME CUBIC FEET

FIGURE NUMBER
1015-85-CAN