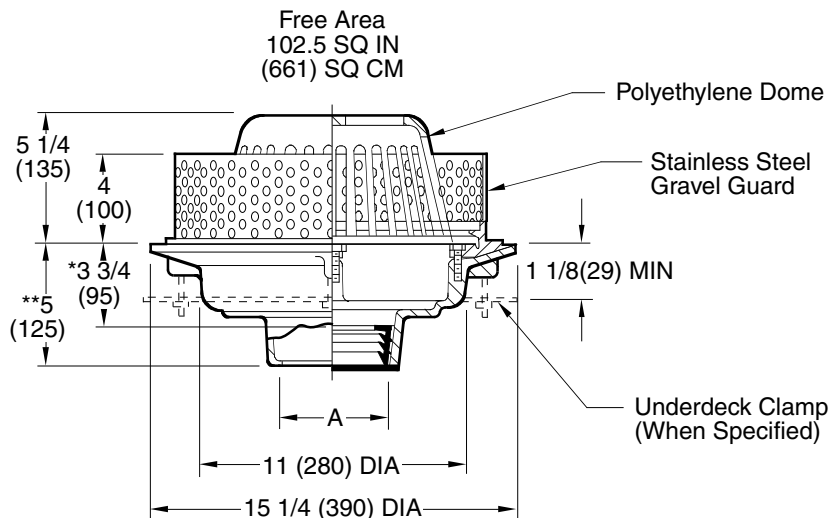


ROOF DRAINS

IRMA ROOF APPLICATIONS

FUNCTION: Used in roof systems where the insulated membrane assembly method of waterproofing is provided. Fig. 1011 is used where built-up felt and asphalt waterproofing is installed. A 4"(100) high perforated stainless steel gravel stop is supplied to retain the crushed gravel used in IRMA flat roof construction.



A (Pipe Size) = 02(50), 03(75), 04(100), 05(125) or 06(150)

- Fig. 1011C CAULK OUTLET
- Fig. 1011Y NO-HUB OUTLET

recommended deck opening
 with suffix -R 17(430) DIA
 less Suffix -R 14(355) DIA

*This Dimension to Internal Stop of Speedi-Set Gasket.
 **Same for Caulk, NO-HUB and Speedi-Set. 3 3/4(95) for Threaded.

REGULARLY FURNISHED:
 Duco Cast Iron Body with Flashing Clamp, 1/16"(2) Thick, 4"(100) High Stainless Steel Perforated Gravel Stop with 3/8"(10) Dia. Openings and Polyethylene Dome.

- VARIATIONS:**
- Expansion Joint (Specify Fig. 1710)
 - Gravel Guard -GG (Specify Height)
 - "L" Shaped Underdeck Clamp -CL
 - L Speedi-Set Service Weight 02(50), 03(75) & 04"(100) sizes only
 - LXH Speedi-Set Extra Heavy 02(50), 03(75) & 04"(100) sizes only
 - Sump Receiver -R
 - Underdeck Clamp -C
 - Vandal Proof Dome -U
 - T Threaded Outlet

- OPTIONAL MATERIALS:**
- Aluminum Dome -AD
 - Cast Iron Dome -CID
 - Cast Iron Dome w/SS Mesh -CIDS
 - Galvanized Cast Iron Body & Collar -G
 - Galvanized Cast Iron Dome -CIDG
 - Rough Bronze Dome -RBD

NOTE: Dimensions shown in parentheses are in millimeters.

1011-CAN

FIGURE NUMBER	F 5-26-99	Changed 11-28-95 Added millimeters	CMD	BS		
	E 6-23-94	Revised	CMD	BS	WEIGHT POUNDS	VOLUME CUBIC FEET
	D 4-12-93	Submittal Update	EMB	BS	FIGURE NUMBER	
	C 7-18-93	Revised Table	EMB	BS	1011-CAN	
	B		CM	TD		
REV.	DATE	DESCRIPTION	BY	CKD. BY		

WE CAN ASSUME NO RESPONSIBILITY FOR USE OF SUPERSEDED OR VOID DATA