



JAY R. SMITH CO.

PLUMBING & DRAINAGE PRODUCTS

959 Alness Street, North York, Ontario M3J 2J1

TEL: (416) 736-9610 FAX: (416) 736-3789

LOCATION

FIXTURE SUPPORT FLOOR MOUNTED WITH HANGER SUPPORT PLATE AND THRUST BOLTS

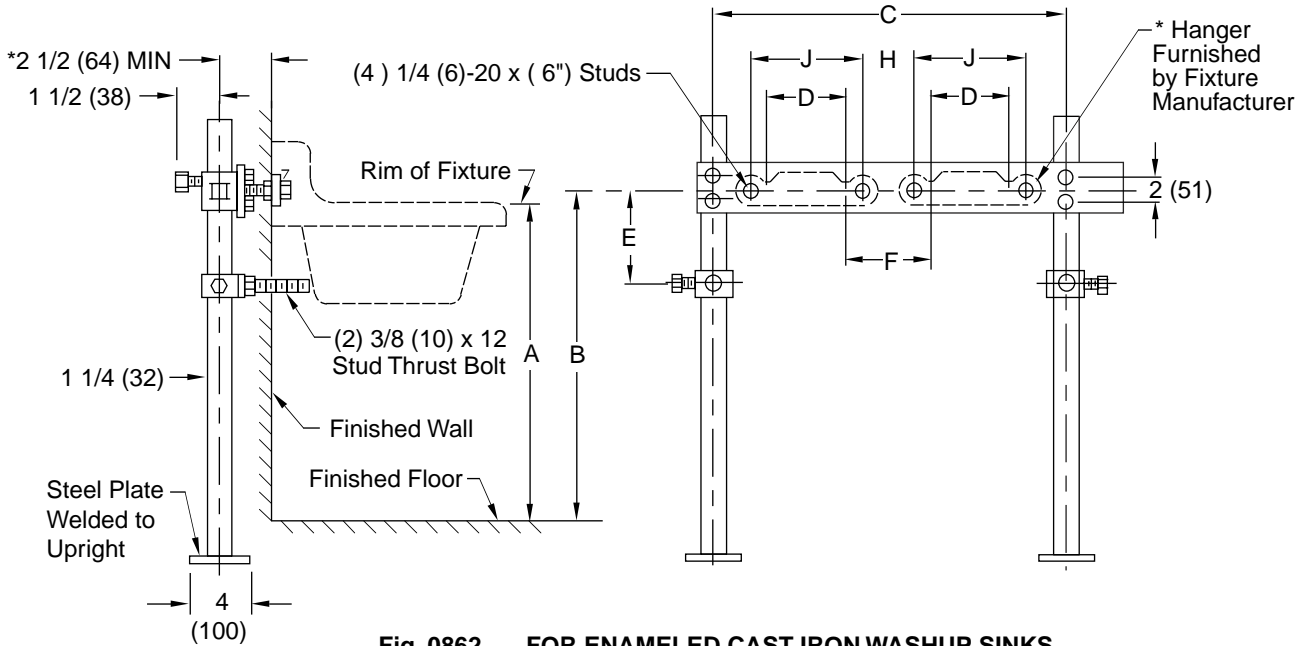
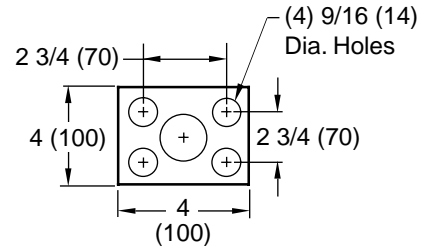


Fig. 0862 . . . FOR ENAMELED CAST IRON WASHUP SINKS

*This dimension can be increased when fixture support is to be installed behind the wall (specify when required and wall thickness).

NOTE: Dimensions shown in parentheses are in millimeters.



BASE DETAIL

FIXTURE NAME			NUMBER		SIZE		
ARISTALINE			SSUI-00				
A	B	C	D	E	F	H	J
36 (915)	38 1/4 (970)	26 (660)	—	23 1/4 (590)	—	12 (305)	3 (76)

SPECIAL PLATE REQUIRED

DRAWING NUMBER
S0862-CAN

SIZE
A

SCALE:
NONE

DATE:
8-30-02

APPROVED BY:

CHECKED BY:

DRAWN BY:
RN

0862-CAN

FIGURE NUMBER

WE CAN ASSUME NO RESPONSIBILITY FOR USE OF SUPERSEDED OR VOID DATA

DIMENSIONS ARE SUBJECT TO MANUFACTURERS TOLERANCE AND CHANGE WITHOUT NOTICE

REV.	DATE	DESCRIPTION	BY	CKD. BY

WEIGHT
POUNDS

VOLUME
CUBIC FEET

FIGURE NUMBER

0862-CAN