

DRINKING FOUNTAIN SUPPORT

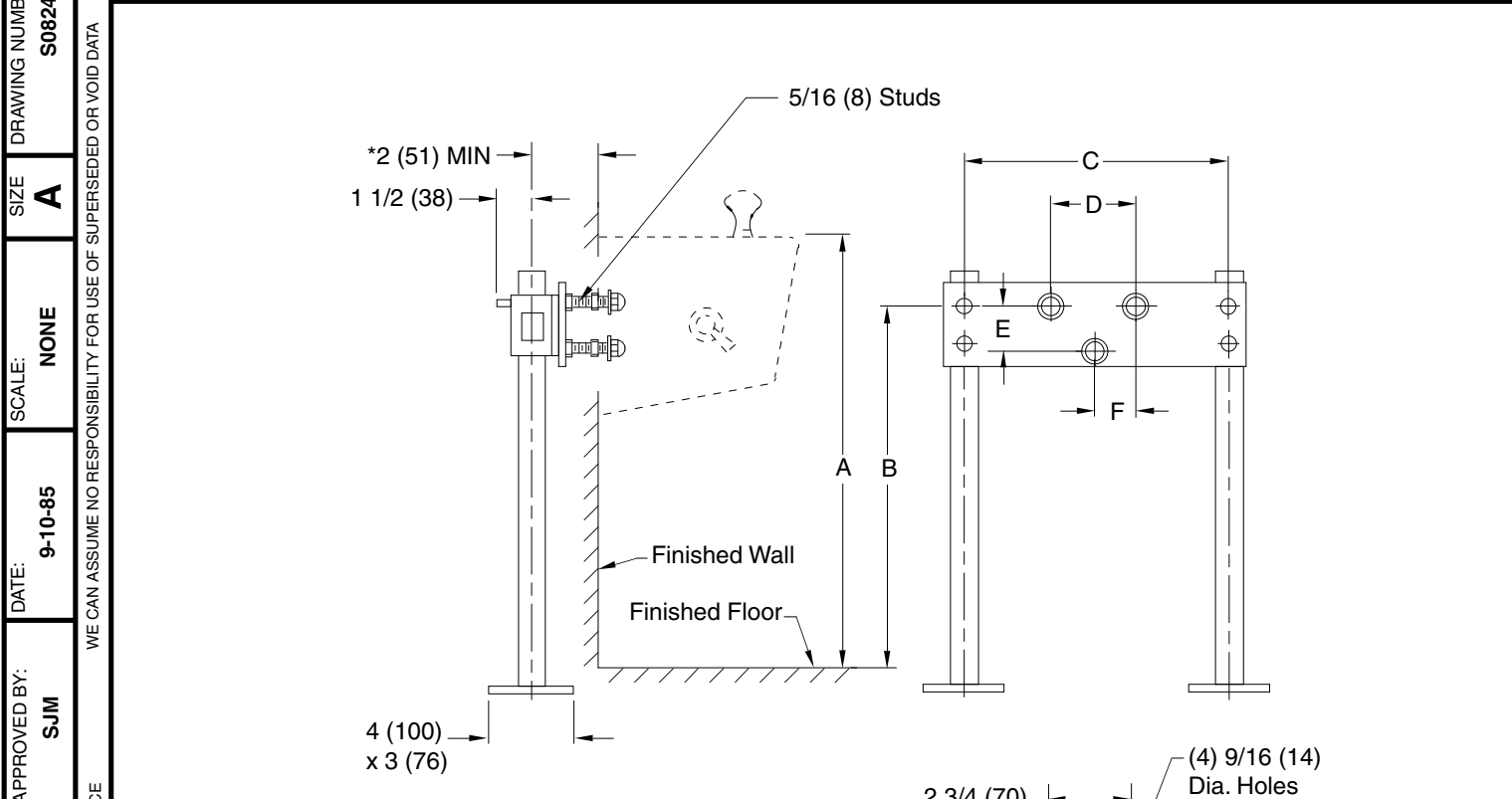
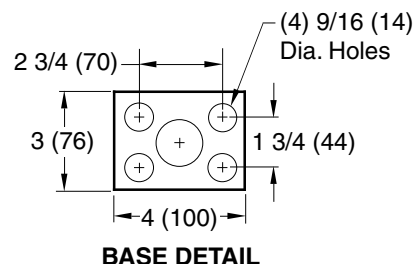


Fig. 0824 . . . FOR SMALL DRINKING FOUNTAINS WITH INTEGRAL CONCEALED HANGER

*This dimension can be increased when fixture support is to be installed behind the wall (specify when required and wall thickness).

NOTE: Dimensions shown in parentheses are in millimeters.



ROUGHING-IN TABLE

FIXTURE NAME		NUMBER		SIZE	
A	B	C	D	E	F

NOTE: The rough-in dimensions listed on this drawing are based on current information available to Jay R. Smith by the fixture manufacturers. We recommend that you verify these dimensions with the fixture manufacturer. We will not accept responsibility for rough-in dimension changes by the fixture manufacturer.

0824-CAN

FIGURE NUMBER	C B A	01/19/00 4-3-97 8-17-93	Revised Base Plate Added Millimeters Submittal Update	JJ EMB EMB	BS BS BS	WEIGHT POUNDS	VOLUME CUBIC FEET	FIGURE NUMBER 0824-CAN
REV.	DATE	DESCRIPTION	BY	CKD. BY				