

C



JAY R. SMITH CO.

PLUMBING & DRAINAGE PRODUCTS

959 Alness Street, North York, Ontario M3J 2J1

TEL: (416) 736-9610 FAX: (416) 736-3789

LOCATION

DRAWING NUMBER

S0813Corner Minette-CAN

SIZE

A

SCALE:

NONE

DATE:

2-17-71

APPROVED BY:

BH

CHECKED BY:

RK

DRAWN BY:

BH

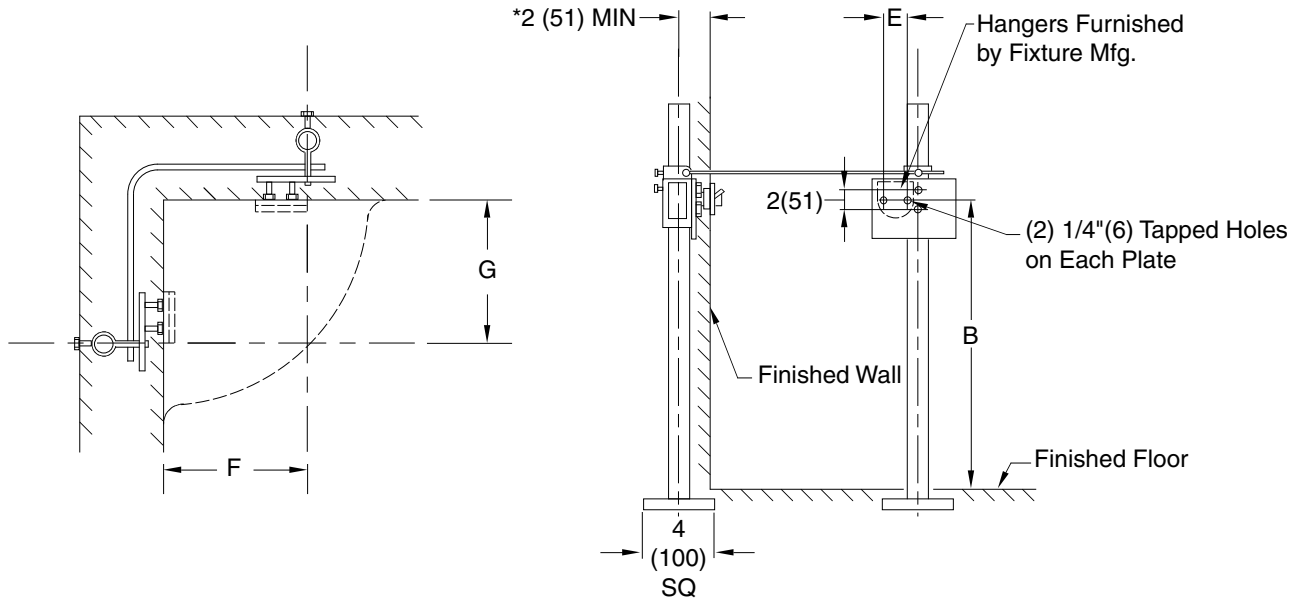
0813

FIGURE NUMBER

WE CAN ASSUME NO RESPONSIBILITY FOR USE OF SUPERSEDED OR VOID DATA
DIMENSIONS ARE SUBJECT TO MANUFACTURERS TOLERANCE AND CHANGE WITHOUT NOTICE

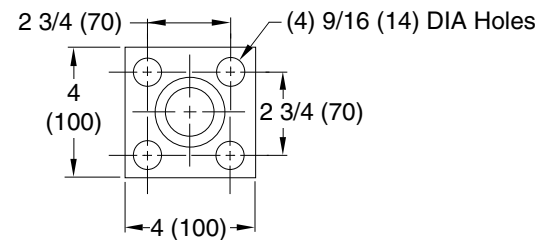
CORNER LAVATORY SUPPORTS WITH CONCEALED HANGERS

FLOOR MOUNTED WITH "PRO-SET" UPRIGHTS



*This dimension can be increased when fixture support is to be installed behind the wall (specify when required and wall thickness).

NOTE: Dimensions shown in parentheses are in millimeters.



BASE DETAIL

AMERICAN STANDARD ROUGHING-IN TABLE

FIXTURE NAME	NUMBER	SIZE	B	E	F	G
CORNER MINETTE	0451.021	11x11	28 5/8 (727)	1 3/16 (30)	8 (205)	8 (205)

NOTE: The rough-in dimensions listed on this drawing are based on current information available to Jay R. Smith by the fixture manufacturers. We recommend that you verify these dimensions with the fixture manufacturer. We will not accept responsibility for rough-in dimension changes by the fixture manufacturer.

REV.	DATE	DESCRIPTION	BY	CKD. BY
C	10-28-98	Added MM, Updated Format	TBW	
B		Welded Bases Replace Cast Block	CO	
A	8-3-79	Revised KAV Support Plate		

WEIGHT
POUNDSVOLUME
CUBIC FEET

FIGURE NUMBER

0813