

**LAVATORY SUPPORTS
WITH CONCEALED HANGERS**

FLOOR MOUNTED WITH "PRO-SET" UPRIGHTS

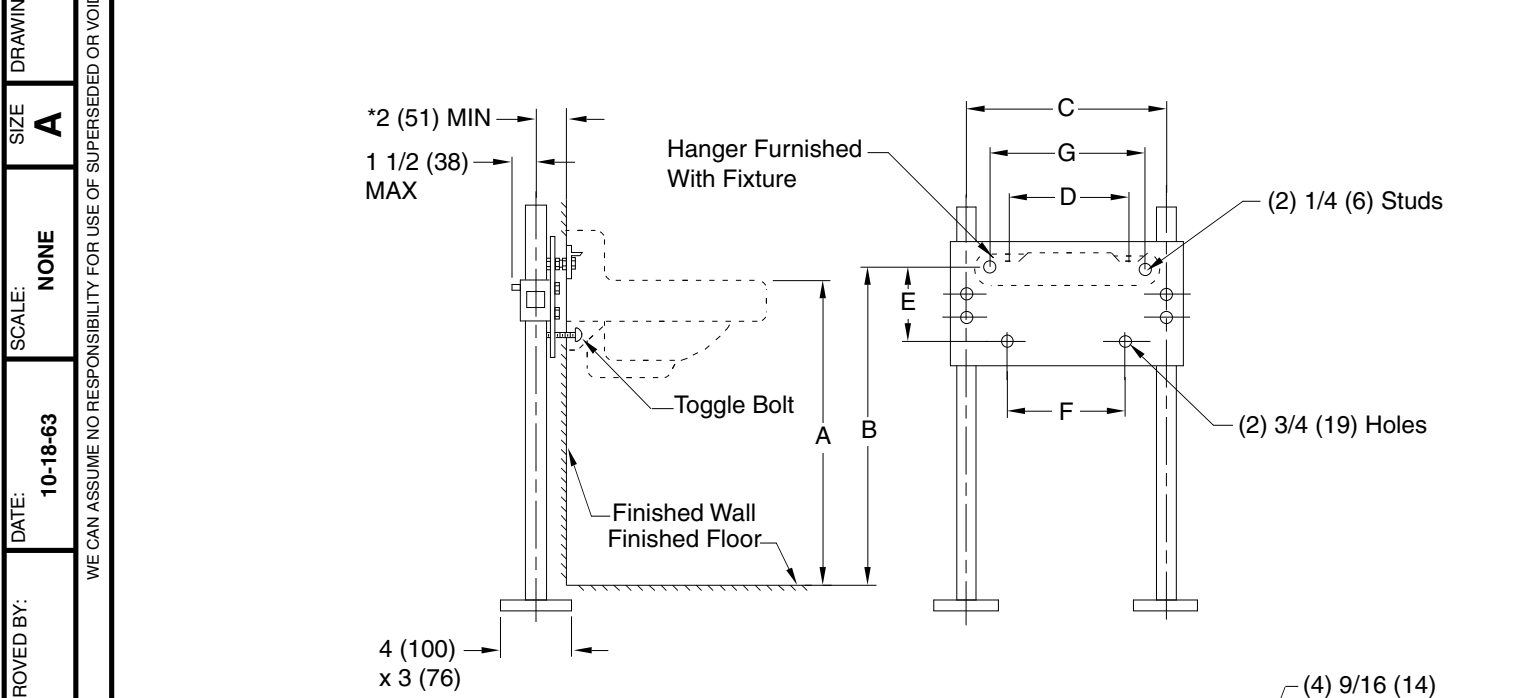
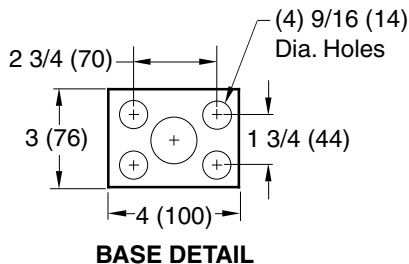


Fig. 0805... WITH PLATE AND STUDS FOR HIGH BACK LAVATORIES WITH CONCEALED WALL HANGER AND EXTENDED BOTTOM SECURING LUGS



*This dimension can be increased when fixture support is to be installed behind the wall (specify when required and wall thickness).

ROUGHING-IN TABLE

FIXTURE NAME			NUMBER			SIZE	
A	B	C	D	E	F	G	

NOTE: The rough-in dimensions listed on this drawing are based on current information available to Jay R. Smith by the fixture manufacturers. We recommend that you verify these dimensions with the fixture manufacturer. We will not accept responsibility for rough-in dimension changes by the fixture manufacturer.

NOTE: Dimensions shown in parenthesis are in millimeters.

0805-CAN

DIMENSIONS ARE SUBJECT TO MANUFACTURERS TOLERANCE AND CHANGE WITHOUT NOTICE

DRAWING NUMBER: S0805 (B)-CAN
 SCALE: NONE
 DATE: 10-18-63
 APPROVED BY: RP
 CHECKED BY: SL
 DRAWN BY: SL

REV.	DATE	DESCRIPTION	BY	CKD. BY	WEIGHT POUNDS	VOLUME CUBIC FEET	FIGURE NUMBER 0805-CAN