



**JAY R. SMITH inc.**

PLUMBING & DRAINAGE PRODUCTS

959 Alness Street, North York, Ontario M3J 2J1

TEL: (416) 736-9610 FAX: (416) 736-3789

LOCATION

## LAVATORY SUPPORTS WITH CONCEALED HANGERS

### FLOOR MOUNTED WITH "PRO-SET" UPRIGHTS

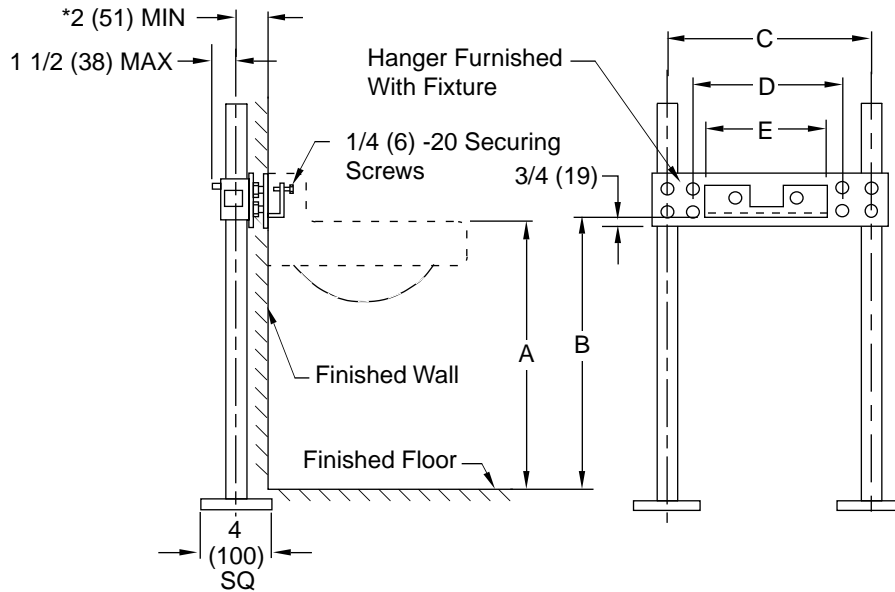
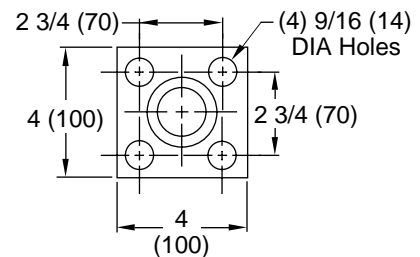


Fig. 0800 . . . FOR HIGH BACK LAVATORIES WITH CONCEALED HANGER

\*This dimension can be increased when fixture support is to be installed behind the wall (specify when required and wall thickness).

**NOTE:** Dimensions shown in parentheses are in millimeters.



**BASE DETAIL**

**CRANE/CANADA**

**ROUGHING-IN TABLE**

FIXTURE NAME	NUMBER	SIZE	A	B	C	D	E
DIANA	1-26	25x21 (635)-(535)	33 (840)	27 1/2 (700)	17 (430)	10 1/2 (269)	9 (230)

**NOTE:** The rough-in dimensions listed on this drawing are based on current information available to Jay R. Smith by the fixture manufacturers. We recommend that you verify these dimensions with the fixture manufacturer. We will not accept responsibility for rough-in dimension changes by the fixture manufacturer.

DRAWING NUMBER  
S0800 -CAN

SIZE  
A

SCALE:  
NONE

DATE:  
8-30-02

APPROVED BY:

CHECKED BY:

DRAWN BY:  
RN

**0800-CAN**

FIGURE NUMBER

WE CAN ASSUME NO RESPONSIBILITY FOR USE OF SUPERSEDED OR VOID DATA

DIMENSIONS ARE SUBJECT TO MANUFACTURERS TOLERANCE AND CHANGE WITHOUT NOTICE

REV.	DATE	DESCRIPTION	BY	CKD. BY

WEIGHT  
POUNDS

VOLUME  
CUBIC FEET

FIGURE NUMBER

**0800-CAN**