

H



# JAY R. SMITH CO.

## PLUMBING & DRAINAGE PRODUCTS

959 Alness Street, North York, Ontario M3J 2J1

TEL: (416) 736-9610 FAX: (416) 736-3789

LOCATION

# LAVATORY SUPPORTS WITH CONCEALED ARMS

## WALL MOUNTED

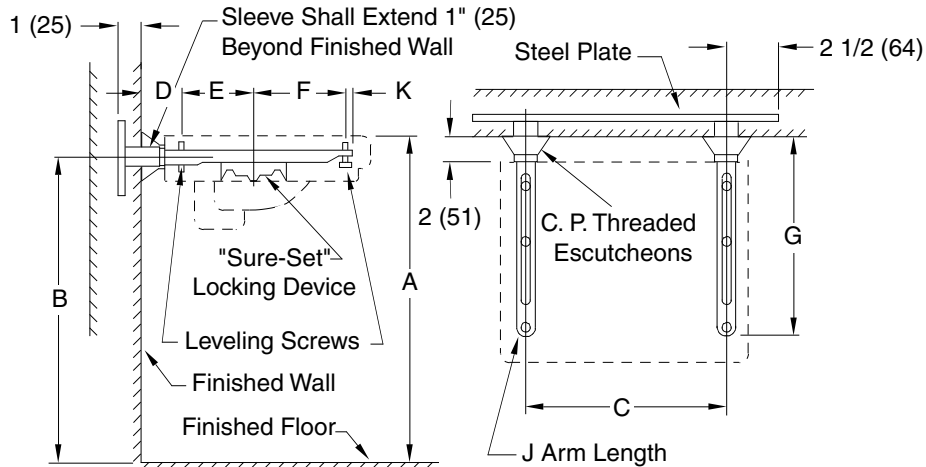


Fig. 0722 (-E) . . . FOR FLAT SLAB LAVATORIES SET ON STEEL PLATE SECURED IN WALL

### ROUGHING-IN TABLE

FIXTURE NAME				NUMBER			SIZE	
A	B	C	D	E	F	G	J	K

**NOTE:** The rough-in dimensions listed on this drawing are based on current information available to Jay R. Smith by the fixture manufacturers. We recommend that you verify these dimensions with the fixture manufacturer. We will not accept responsibility for rough-in dimension changes by the fixture manufacturer.

**NOTE:** Dimensions shown in parentheses are in millimeters.

DRAWING NUMBER  
S0722 (-E) (B)-CANSIZE  
ASCALE:  
NONEDATE:  
1-7-81

APPROVED BY:

CHECKED BY:  
TDDRAWN BY:  
TD

# 0722 (-E)-CAN

FIGURE  
NUMBER

WE CAN ASSUME NO RESPONSIBILITY FOR USE OF SUPERSEDED OR VOID DATA

DIMENSIONS ARE SUBJECT TO MANUFACTURERS TOLERANCE AND CHANGE WITHOUT NOTICE

H  
G  
T  
E

4-2-97  
9-22-94  
12-13-74  
1-26-73

Added Millimeters  
Submittal Update  
Rev Table  
New Dwg

EMB  
EMB  
BDS  
JH

BS  
BS

WEIGHT  
POUNDSVOLUME  
CUBIC FEET

FIGURE NUMBER

# 0722 (-E)-CAN

REV.	DATE	DESCRIPTION	BY	CKD. BY