

D



**JAY R. SMITH CO.**  
**PLUMBING & DRAINAGE PRODUCTS**

959 Alness Street, North York, Ontario M3J 2J1  
 TEL: (416) 736-9610 FAX: (416) 736-3789

LOCATION

DRAWING NUMBER  
**S0722 (B)-CAN**

SIZE  
**A**

SCALE:  
**NONE**

DATE:  
**10-9-69**

APPROVED BY:

CHECKED BY:  
**BH**

DRAWN BY:  
**RVB**

**0722-CAN**

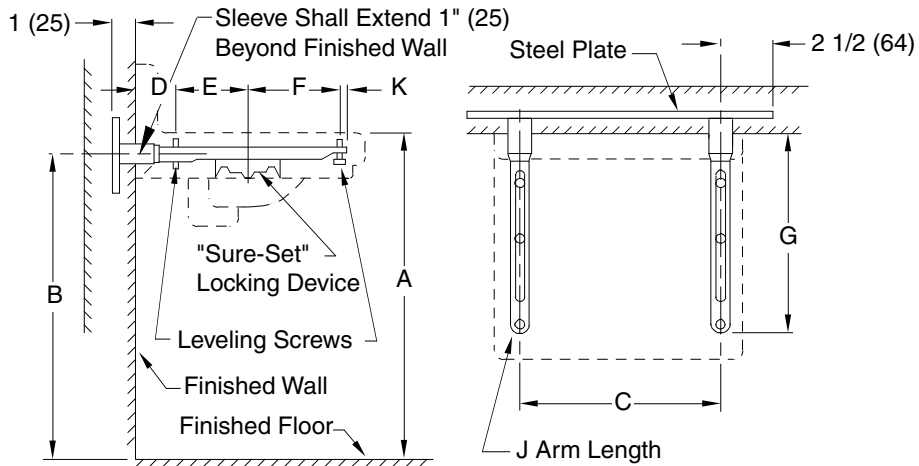
FIGURE NUMBER

WE CAN ASSUME NO RESPONSIBILITY FOR USE OF SUPERSEDED OR VOID DATA

DIMENSIONS ARE SUBJECT TO MANUFACTURERS TOLERANCE AND CHANGE WITHOUT NOTICE

**LAVATORY SUPPORTS  
 WITH CONCEALED ARMS**

**WALL MOUNTED**



**Fig. 0722 ... FOR HIGH BACK LAVATORIES SET ON STEEL PLATE SECURED IN WALL**

**ROUGHING-IN TABLE**

FIXTURE NAME				NUMBER			SIZE	
<b>A</b>	<b>B</b>	<b>C</b>	<b>D</b>	<b>E</b>	<b>F</b>	<b>G</b>	<b>J</b>	<b>K</b>

**NOTE:** The rough-in dimensions listed on this drawing are based on current information available to Jay R. Smith by the fixture manufacturers. We recommend that you verify these dimensions with the fixture manufacturer. We will not accept responsibility for rough-in dimension changes by the fixture manufacturer.

**NOTE:** Dimensions shown in parentheses are in millimeters.

D	4-2-97	Added Millimeters Revised Submittal Update	EMB	BS	WEIGHT POUNDS	VOLUME CUBIC FEET	FIGURE NUMBER <b>0722-CAN</b>
C	6-22-94		EMB	BS			
B	8-10-93		EMB	BS			
REV.	DATE	DESCRIPTION	BY	CKD. BY			