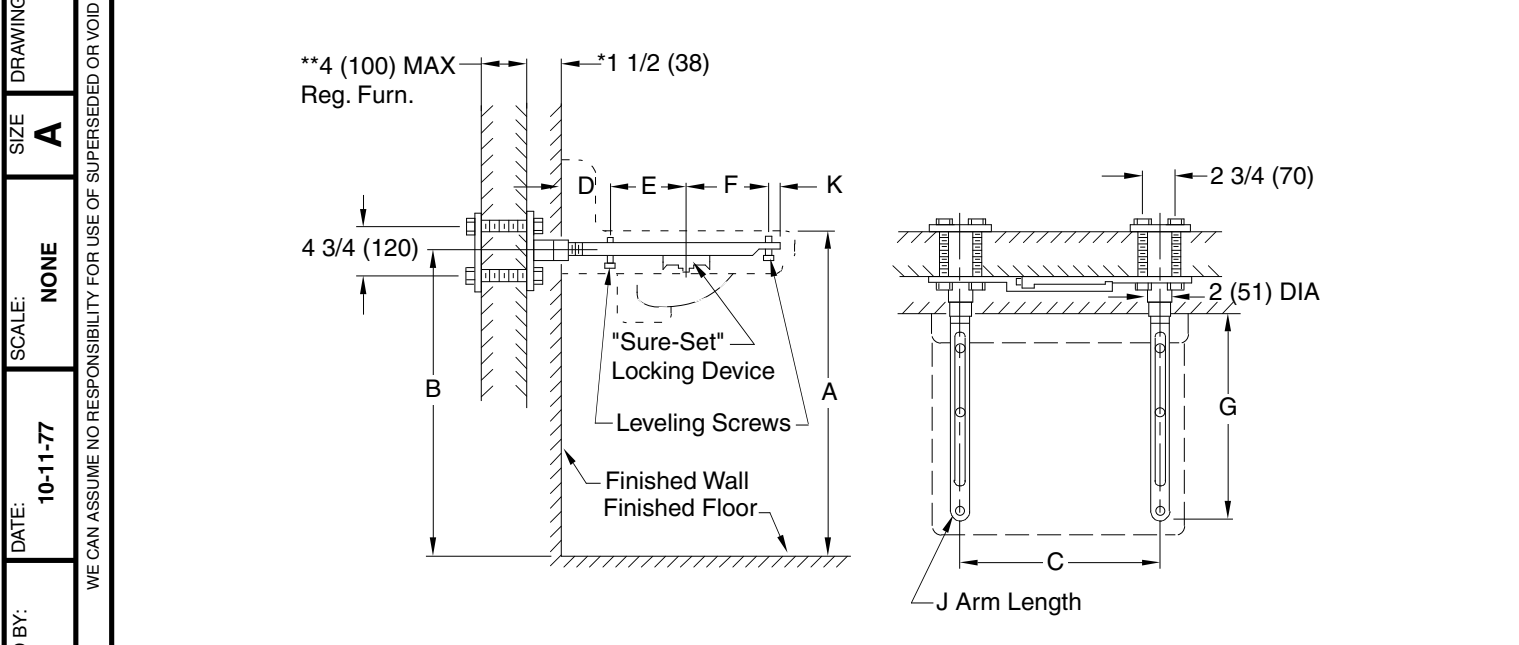


**LAVATORY SUPPORTS WITH CONCEALED ARMS**

**WALL MOUNTED**



**Fig. 0720 . . . FOR HIGH BACK LAVATORIES SET ON MASONRY OR STUD WALL**

\*This dimension can be increased when required (specify thickness).  
 \*\*For greater wall thickness, longer supporting studs can be furnished (specify wall thickness).

**ROUGHING-IN TABLE**

FIXTURE NAME		NUMBER		SIZE					
A	B	C	D	E	F	G	J	K	

**NOTE:** The rough-in dimensions listed on this drawing are based on current information available to Jay R. Smith by the fixture manufacturers. We recommend that you verify these dimensions with the fixture manufacturer. We will not accept responsibility for rough-in dimension changes by the fixture manufacturer.

**NOTE:** Dimensions shown in parenthesis are in millimeters.

**0720-CAN**

FIGURE NUMBER	D C B	4-10-95 6-22-94 8-9-93	Chg'd Dim, Added Millimeters Revised Submittal Update	EMB EMB EMB	BS BS	WEIGHT POUNDS	VOLUME CUBIC FEET	FIGURE NUMBER <b>0720-CAN</b>
	REV.	DATE	DESCRIPTION	BY	CKD. BY			

DRAWING NUMBER: S0720 (B)-CAN  
 SIZE: A  
 SCALE: NONE  
 DATE: 10-11-77  
 APPROVED BY: RP  
 CHECKED BY: RP  
 DRAWN BY: TS  
 DIMENSIONS ARE SUBJECT TO MANUFACTURERS TOLERANCE AND CHANGE WITHOUT NOTICE  
 WE CAN ASSUME NO RESPONSIBILITY FOR USE OF SUPERSEDED OR VOID DATA