

G



JAY R. SMITH CO.

PLUMBING & DRAINAGE PRODUCTS

959 Alness Street, North York, Ontario M3J 2J1

TEL: (416) 736-9610 FAX: (416) 736-3789

LOCATION

DRAWING NUMBER
S0700D (-E)-CANSIZE
ASCALE:
NONEDATE:
12-12-74

APPROVED BY:

CHECKED BY:
RSDRAWN BY:
RAS

0700D (-E)-CAN

WE CAN ASSUME NO RESPONSIBILITY FOR USE OF SUPERSEDED OR VOID DATA

DIMENSIONS ARE SUBJECT TO MANUFACTURERS TOLERANCE AND CHANGE WITHOUT NOTICE

DOUBLE FIXTURE SUPPORT FLOOR MOUNTED WITH CONCEALED ARMS

AND ESCUTCHEONS FOR FLAT SLAB LAVATORIES

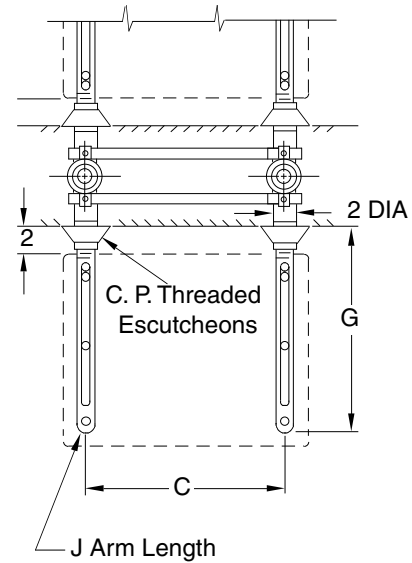
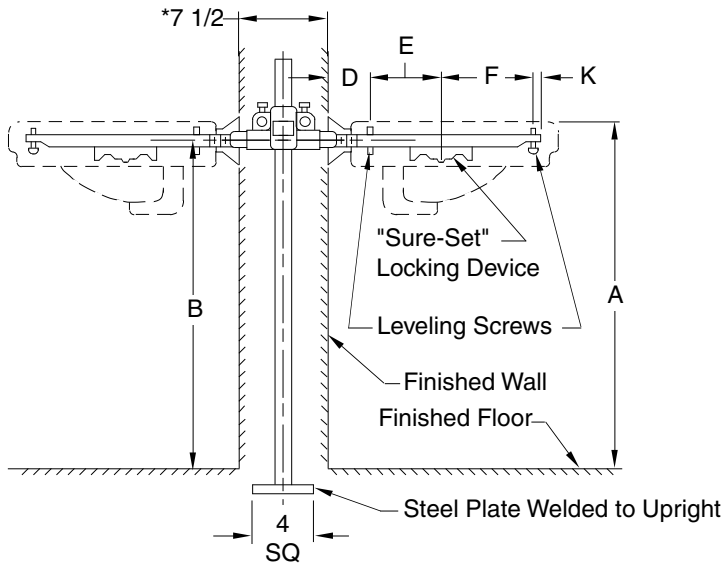
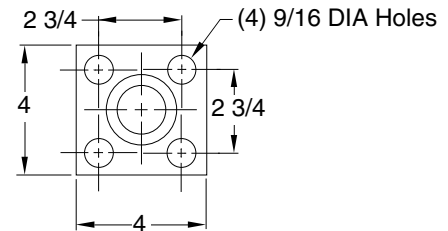


Fig. 0700D (-E) ... FOR FLAT SLAB LAVATORIES (shown)

NOTE: The rough-in dimensions listed on this drawing are based on current information available to Jay R. Smith by the fixture manufacturers. We recommend that you verify these dimensions with the fixture manufacturer. We will not accept responsibility for rough-in dimension changes by the fixture manufacturer.

NOTE: * This dimension can be increased when required. (Specify wall thickness).



BASE DETAIL

ROUGHING-IN TABLE

FIXTURE MFG.	NAME	NUMBER	SIZE	A	B	C	D	E	F	G	J	K
AM. STD.	ROXALYN	0194.076	20 x 18	31	29 1/4	16 1/2	4	7	7	18 1/2	20	1/2
AM. STD.	ROXALYN	0194.134	24 x 20	31	29 1/4	20	4	7	7	18 1/2	20	1/2
AM. STD.	ROXALYN	0195.073	20 x 18	31	29 1/4	16 1/2	4	7	7	18 1/2	20	1/2
AM. STD.	ROXALYN	0195.289	24 x 20	31	29 1/4	20	4	7	7	18 1/2	20	1/2
CRANE	NORWICH	1-165	20 x 18	31	29 1/8	16 1/4	4	5 5/8	6 3/8	18 1/2	20	2 1/2
CRANE	NORWICH	1-165	24 x 21	31	29 1/8	19 1/2	4	5 5/8	7 1/8	18 1/4	20	1 1/2
ELJER	MAYBURNE	051-2344, 2548	20 x 18	31	29	17	4	5 5/8	5 5/8	17 1/4	19	2
ELJER	MAYBURNE	051-2354, 2558	24 x 20	31	29	20 7/8	4	5 5/8	7 1/8	18 1/4	20	1 1/2
KOHLER	JAMESTOWN	K-2053, 4, 5, 6	24 x 18	31	29	16 1/2	4	5 5/8	5 5/8	17 1/4	19	2
KOHLER	JAMESTON	K-2053, 4, 5, 6	24 x 20	31	29	19	4	7	7	18 1/2	20	1/2
U. RUNDLE	NEW CAMPUS	4698, 9	20 x 18	31	29 3/8	16 1/4	4	5	4	14	16	1

G
T
E

9-21-94
3-17-80
12-12-74

Submittal Update
Weld Base replace Cast Base
New Dwg

EMB
TB
RAS

CL

WEIGHT
POUNDSVOLUME
CUBIC FEET

FIGURE NUMBER

0700D (-E)-CAN

REV.

DATE

DESCRIPTION

BY

CKD. BY