

C



# JAY R. SMITH CO.

PLUMBING & DRAINAGE PRODUCTS

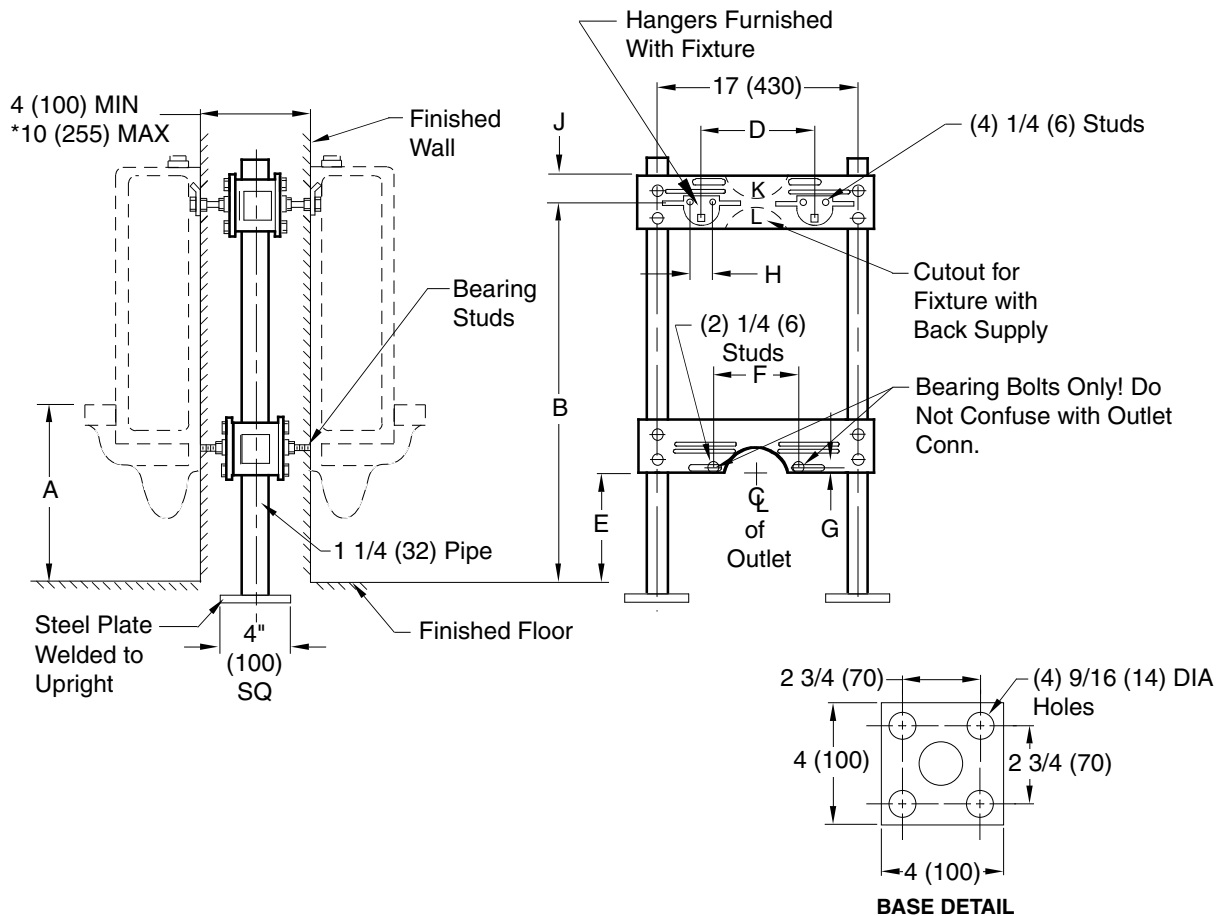
959 Alness Street, North York, Ontario M3J 2J1

TEL: (416) 736-9610 FAX: (416) 736-3789

LOCATION

## URINAL SUPPORTS FOR OFF-THE-FLOOR URINALS

WITH HANGER AND BEARING PLATES FOR BLOWOUT AND WASHOUT URINALS WITH WALL HANGERS



**ROUGHING-IN TABLE**

FIXTURE MFG.	NAME	NUMBER	A	B	D	E	F	G	H	J	K	L
KOHLER	BARDON	K-4960-ER K-4960-ET	24	40 1/2	12	20	8 1/4	2	1	2	-	-

**NOTE:** Dimensions shown in parentheses are in millimeters.

\*This dimension can be increased when fixture support is to be installed behind the wall (specify when required and wall thickness).

DRAWING NUMBER  
S0637D-CANSIZE  
ASCALE:  
NONEDATE:  
10-25-84APPROVED BY:  
TDCHECKED BY:  
KHDRAWN BY:  
PJ

0637D

FIGURE  
NUMBER

WE CAN ASSUME NO RESPONSIBILITY FOR USE OF SUPERSEDED OR VOID DATA

DIMENSIONS ARE SUBJECT TO MANUFACTURERS TOLERANCE AND CHANGE WITHOUT NOTICE

REV.	DATE	DESCRIPTION	BY	CKD. BY
C	5-1-96	Revised Added Millimeters Submittal Update	EMB	BS
B	4-10-96		EMB	BS
A	9-16-94		CMB	BS

WEIGHT  
POUNDSVOLUME  
CUBIC FEET

FIGURE NUMBER

0637D