

E



JAY R. SMITH CO.

PLUMBING & DRAINAGE PRODUCTS

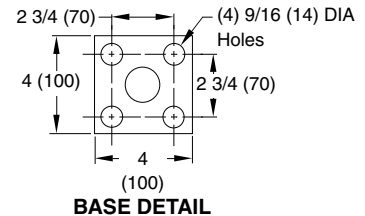
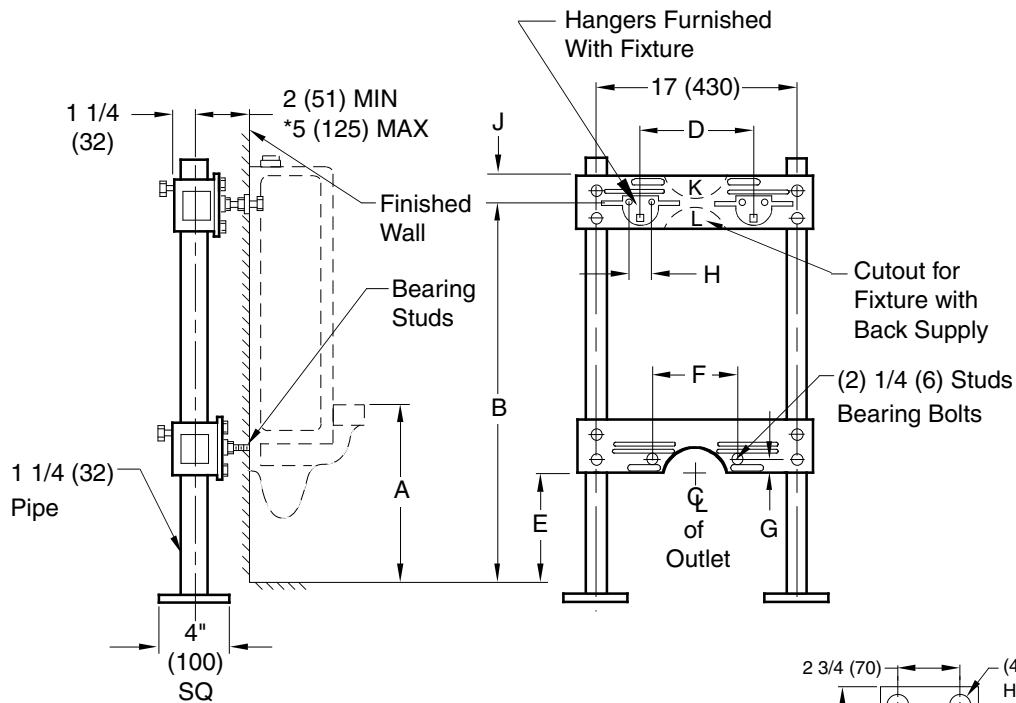
959 Alness Street, North York, Ontario M3J 2J1

TEL: (416) 736-9610 FAX: (416) 736-3789

LOCATION

URINAL SUPPORTS FOR OFF-THE-FLOOR URINALS

WITH PLATE FOR BLOWOUT AND WASHOUT URINALS WITH WALL HANGERS



NOTE: Dimensions shown in parentheses are in millimeters.

*This dimension can be increased when fixture support is to be installed behind the wall (specify when required and wall thickness).

ROUGH-IN TABLE

FIXTURE MFG.	NAME	NUMBER	A	B	D	E	F	G	H	J	K	L
Am. Std.	Washbrook	6501.010	24 (610)	39 (990)	13 1/2 (345)	21 (535)	7 (180)	1/2 (13)	1 3/16 (30)	2 (51)	X	-
Am. Std.	Washbrook	6506.011	24 (610)	39 (990)	13 1/2 (345)	21 (535)	7 (180)	1/2 (13)	1 3/16 (30)	2 (51)	X	-
Am. Std.	Lynbrook	6538.010	24 (610)	40 (1015)	13 1/2 (345)	21 (535)	7 (180)	1/2 (13)	1 3/16 (30)	1 (25)	X	-
Am. Std.	Lynbrook	6531.019	24 (610)	40 (1015)	13 1/2 (345)	21 (535)	7 (180)	1/2 (13)	1 3/16 (30)	1 (25)	X	-
Am. Std.	Trimbrook	6560.015	24 (610)	37 5/8 (955)	11 (280)	16 3/8 (416)	5 (125)	1 (25)	1 3/16 (30)	1 (25)	X	-
Am. Std.	Trimbrook	6560.023	24 (610)	37 5/8 (955)	11 (280)	16 3/8 (416)	5 (125)	1 (25)	1 3/16 (30)	1 (25)	X	-
Am. Std.	Trimbrook	6565.014	24 (610)	37 5/8 (955)	11 (280)	16 3/8 (416)	5 (125)	1 (25)	1 3/16 (30)	1 (25)	X	-
Am. Std.	Trimbrook	6565.022	24 (610)	37 5/8 (955)	11 (280)	16 3/8 (416)	5 (125)	1 (25)	1 3/16 (30)	1 (25)	X	-
Eljer	Correcto	161-1030, 45 161-1060, 75	24 (610)	39 3/8 (1000)	12 (305)	21 (535)	5 1/4 (135)	1 (25)	1 (25)	1 (25)	X	
Eljer	Terminal	161-1100, 3	25 1/2 (650)	33 7/8 (860)	9 1/2 (240)	23 1/4 (590)	6 (150)	2 (51)	1 (25)	1 (25)	X	-
Eljer	Dover	161-1160, 75	24 (610)	32 3/8 (822)	6 (150)	17 (430)	6 (150)	1 (25)	1 (25)	1 (25)	X	-
Kohler	Stanwell	K-4970-T, R	24 (610)	40 (1015)	12 (305)	22 (560)	5 3/8 (137)	1 (25)	1 (25)	1 (25)	X	-
Kohler	Bardon	K-4980-T, R	24 (610)	40 1/2 (1030)	12 (305)	21 (535)	8 1/4 (210)	1 (25)	1 (25)	1 (25)	X	-
Kohler	Derry	K-5007-T, R	24 (610)	29 1/2 (750)	6 (150)	22 (560)	6 (150)	1 (25)	1 (25)	1 (25)	-	X
Kohler	Dexter	K-5014-T, R	24 (610)	32 1/8 (816)	6 1/2 (165)	17 5/8 (448)	8 (205)	1 (25)	1 (25)	1 (25)	X	-

E 7-17-02
D 3-21-95
C 7-28-93
B 11-17-88

Changed Table
Added Metric
Submittal Update
Change Table

RN
EMB
EMB
EMB

MB
BS
BS
BS

WEIGHT
POUNDS

VOLUME
CUBIC FEET

FIGURE NUMBER

0637-CAN

REV.	DATE	DESCRIPTION	BY	CKD. BY

DRAWING NUMBER
S0637-CANSIZE
ASCALE:
NONEDATE:
1-10-74APPROVED BY:
BSCHECKED BY:
CRDRAWN BY:
BDS

0637-CAN

FIGURE
NUMBER

WE CAN ASSUME NO RESPONSIBILITY FOR USE OF SUPERSEDED OR VOID DATA

DIMENSIONS ARE SUBJECT TO MANUFACTURERS TOLERANCE AND CHANGE WITHOUT NOTICE