

B



JAY R. SMITH CO.

PLUMBING & DRAINAGE PRODUCTS

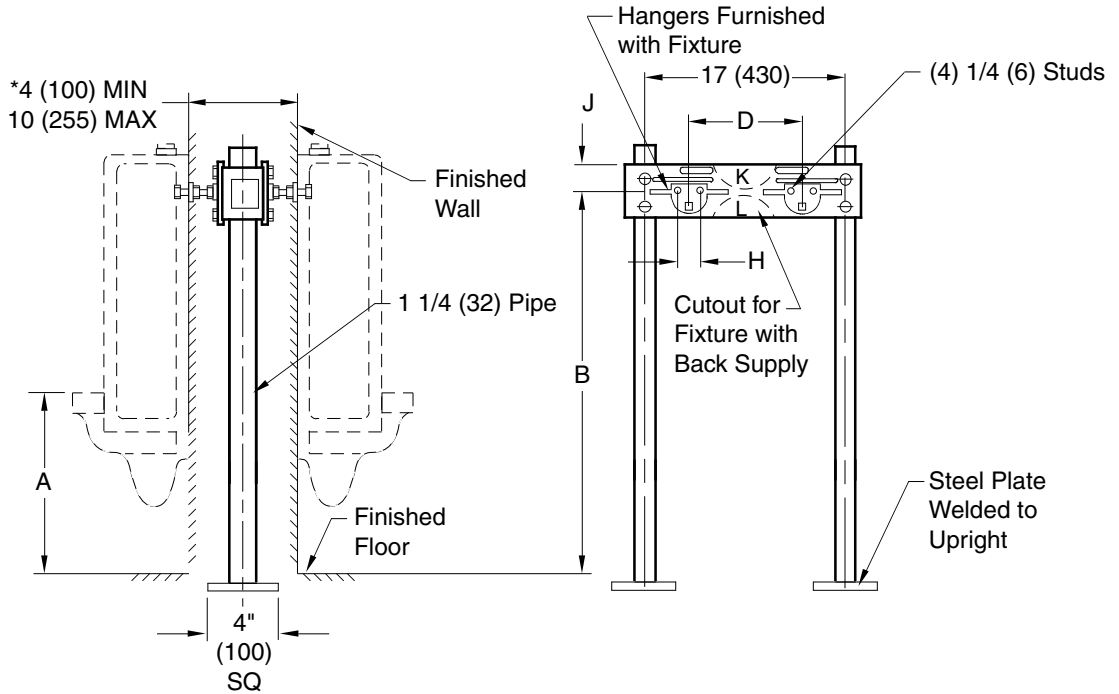
959 Alness Street, North York, Ontario M3J 2J1

TEL: (416) 736-9610 FAX: (416) 736-3789

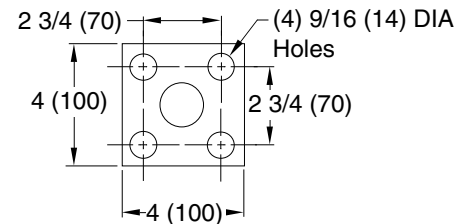
LOCATION

URINAL SUPPORTS FOR OFF-THE-FLOOR URINALS

WITH HANGER PLATE FOR BLOWOUT AND WASHOUT URINALS WITH WALL HANGERS



*This dimension can be increased when fixture support is to be installed behind the wall (specify when required and wall thickness).



BASE DETAIL

ROUGH-IN TABLE

FIXTURE MFG.	NAME	NUMBER	A	B	D	H	J	K	L
KOHLER	BARDON	K-4960-ER K-4960-ET	24	40 1/2	12	1	2	-	-

CUTOUT FOR INLET

NOTE: Dimensions shown in parentheses are in millimeters.

DRAWING NUMBER
S0636D-CAN

SIZE
A

SCALE:
NONE

DATE:
8-21-84

APPROVED BY:
KG

CHECKED BY:
KG

DRAWN BY:
KG

0636D

WE CAN ASSUME NO RESPONSIBILITY FOR USE OF SUPERSEDED OR VOID DATA

DIMENSIONS ARE SUBJECT TO MANUFACTURERS TOLERANCE AND CHANGE WITHOUT NOTICE

REV.	DATE	DESCRIPTION	BY	CKD. BY
B	5-1-96	Added Millimeters	EMB	BS
A	9-19-94	Submittal Update	CMB	BS

WEIGHT
POUNDS

VOLUME
CUBIC FEET

FIGURE NUMBER
0636D