

G



JAY R. SMITH MFG CO.[®]

DISTRIBUTED by ACUDOR/ACORN
 1125 Squires Beach Road, Pickering, ON L1W 3T9
 Tel: (905) 427-9957 Email: sales@acudoracornltd.com
 www.acudoracornltd.com

LOCATION

DRAWING NUMBER
S0532FYSIZE
ASCALE:
NONEDATE:
1-17-86APPROVED BY:
SBCHECKED BY:
JDDRAWN BY:
CM

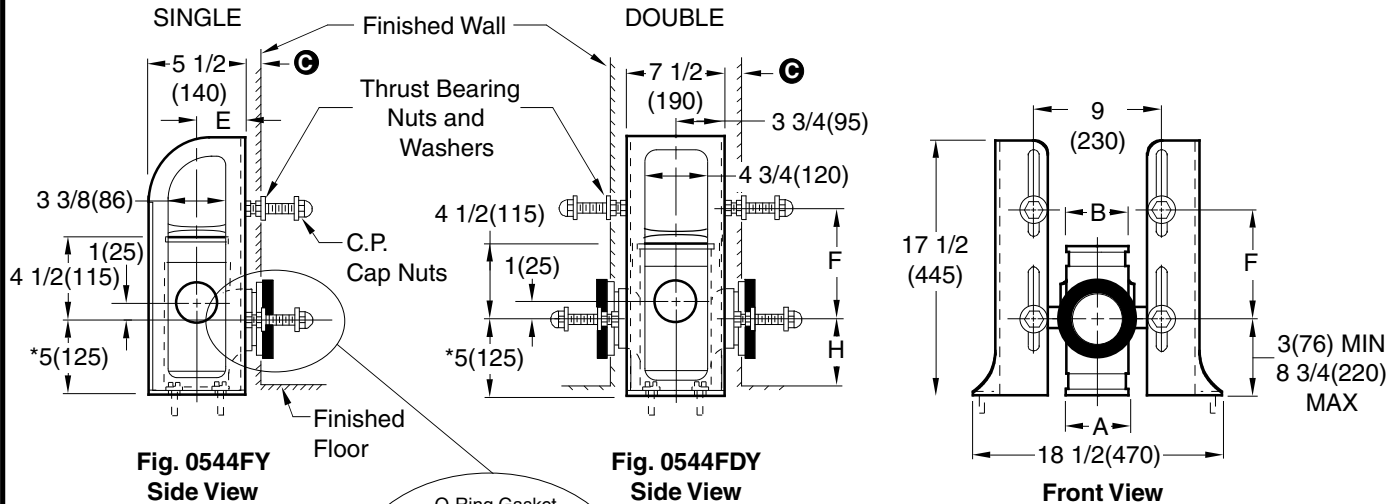
0532FY, 0533FY,
0542FY, 0544FY

WE CAN ASSUME NO RESPONSIBILITY FOR USE OF SUPERSEDED OR VOID DATA

DIMENSIONS ARE SUBJECT TO MANUFACTURERS TOLERANCE AND CHANGE WITHOUT NOTICE

COMPACT FIXTURE SUPPORTS FOR SIPHON JET WATER CLOSETS WITH VERTICAL CENTER LINE FITTINGS

FLOOR MOUNT FRAME FOR NO-HUB SYSTEMS



A SIZE	B SIZE	E
3(80)	2(51)	3(76)
3(80)	3(76)	3(76)
4(100)	2(51)	3 1/2(89)
4(100)	4(100)	3 1/2(89)

- Fig. 0532FY . . . 3"(80) NO-HUB w/2"(51) Vent
- Fig. 0533FY . . . 3"(80) NO-HUB w/3"(76) Vent
- ▲ Fig. 0542FY . . . 4"(100) NO-HUB w/2"(51) Vent
- ▲ Fig. 0544FY . . . 4"(100) NO-HUB w/4"(100) Vent
- ▲ Fig. 0544FDY . . . 4"(100) NO-HUB Double w/4"(100) Vent

* NOTE: 5"(125) dimension is to bottom of fitting.

NOTE: Coupling should extend 5/16"(8) beyond finished wall.

NOTE: When using closet with bar hanger, add suffix-H to figure numbers shown.

NOTE: See roughing-in table on reverse side for "F" and "H" dimensions and list of compatible fixtures. Double support for use with gravity flush tank type water closets only.

NOTE: Longer closet studs and couplings available when required.

⊙ 1"(25) MIN to 1 1/4"(32) MAX regularly furnished. Other dimensions available upon request.

▲ NOTE: Back of fitting extends beyond frame 3/4"(19) for 4"(100) sizes. Recommend use with 2 x 8 studs only.

INSTALLATION INSTRUCTIONS

- A. The center of the stack should be located by the "E" dimension shown on the table. "E" dimension for 0544FDY is 3 3/4(95).
- B. To determine the height of the stack in relation to the finished floor, subtract the "H" dimension from the 5"(125) dimension.
- C. The fitting should now be coupled into the stack.
- D. Assemble the faceplates temporarily to the fitting, mark the location of the bolt holes in the slab, and then secure faceplates to the floor.
- E. Faceplates are fastened to the arms of the adaptor by means of the fixture studs, nuts and washers provided.
- F. Thread locknut on male thread of adjustable coupling approximately 1"(25) and push "O"-Ring against locknut.
- G. Apply No. 90 Smith Seal to male threads on coupling. Install coupling and adjust it to extend 5/16"(8) beyond finished wall. Thread locknut snugly.
- H. Assemble the bearing nuts and washers to the fixture supporting studs. The fixture studs should extend 2 1/4"(51) beyond finished wall.
- I. Adjust bearing nuts so that washers extend 1/16"(2) beyond finished wall.
- J. After wall is erected, remove any plaster grout touching the fixture studs, bearing nuts washers and coupling.
- K. Place gasket in closet recess and set closet on studs protruding from wall making sure that closet outlet is centered on coupling.
- L. Place fiber washers on studs. Apply the two bottom and top left cap nuts, tighten securely. Apply the top right cap nut hand tight and snug up 1/4 turn with wrench.

NOTE: When installing closet with bar hanger support follow the same instructions as above, except that the hanger plate should be mounted on the top fixture studs. Adjust the top bearing nuts so that the face of the hanger extends 1/16"(2) beyond the finished wall, then lock in place with hex nuts.

NOTE: Dimensions shown in parentheses are in millimeters.

NOTE: SEE REVERSE SIDE FOR ROUGH-IN TABLE.

REV.	DATE	DESCRIPTION	BY	CKD. BY	WEIGHT POUNDS	VOLUME CUBIC FEET	FIGURE NUMBER 0532FY, 0533FY, 0542FY, 0544FY
	1-27-06	Revised Note & Removed Note	RN	CL			
	8-26-05	Revised Note	TBW	CL			
	05/21/01	Deleted 2" x 4"	JJ	CL			
	8-2-96	Added Millimeters	EMB	BS			

D



JAY R. SMITH MFG CO.

DISTRIBUTED by ACUDOR/ACORN
1125 Squires Beach Road, Pickering, ON L1W 3T9
Tel: (905) 427-9957 Email: sales@acudoracornltd.com
www.acudoracornltd.com

LOCATION

ROUGH-IN TABLE FOR RESIDENTIAL WATER CLOSETS

DIMENSION "H" ROUGH-IN HEIGHTS

FIXTURE MFG.	NAME	NUMBER	F	H
AM. STD.	GLENWALL	2093.100	7 1/2 (190)	4 1/8 (105)
CRANE	REXMONT	3-217	7 1/2 (190)	4 (100)
ELJER	WALFORD	091-7925, 7926, 7928, 7933	7 1/2 (190)	6 3/4 (170)

NOTE: The rough-in dimensions listed on this drawing are based on current information available to Jay R. Smith by the fixture manufacturers. We recommend that you verify these dimensions with the fixture manufacturer. We will not accept responsibility for rough-in dimension changes by the fixture manufacturer.

NOTE: Dimensions shown in parentheses are in millimeters.

DRAWING NUMBER
S0500BS

SIZE
A

SCALE:
NONE

DATE:
1-24-86

APPROVED BY:
SB

CHECKED BY:
JD

DRAWN BY:
CM

0500 SERIES

FIGURE NUMBER

WE CAN ASSUME NO RESPONSIBILITY FOR USE OF SUPERSEDED OR VOID DATA
DIMENSIONS ARE SUBJECT TO MANUFACTURERS TOLERANCE AND CHANGE WITHOUT NOTICE

D	1-27-06	Added NOTE to BS	RN	CL	WEIGHT POUNDS	VOLUME CUBIC FEET	FIGURE NUMBER 0500 SERIES
C	8-26-05	Revised Table	TBW	CL			
B	8-1-96	Added Millimeters	EMB	BS			
A	7-20-93	Submittal Update	EMB	BS			
REV.	DATE	DESCRIPTION	BY	CKD. BY			