



SMITH® JAY R. SMITH MFG. CO.®
 DIVISION OF SMITH INDUSTRIES, INC.
 POST OFFICE BOX 3237
 MONTGOMERY, ALABAMA 36109-0237 (USA)
 TEL: 334-277-8520 FAX: 334-272-7396 www.jrsmith.com



MEMBER OF:

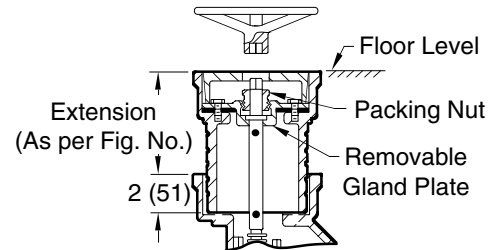
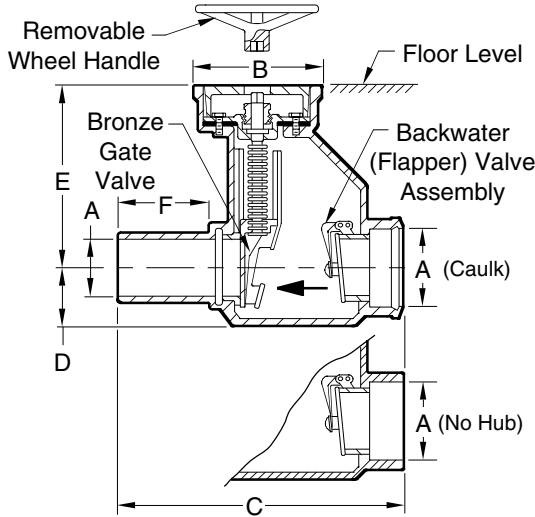


LOCATION

BACKWATER VALVES

IN-LINE MANUAL SHUT-OFF GATE VALVE

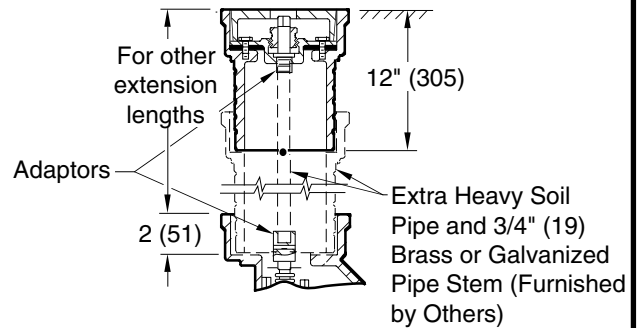
FUNCTION: Functions as a drainage control valve; flapper type backwater valve provides temporary protection against sewage backflow surges. Manually closed "spade" type gate valve provides additional complete "closure" protection during emergency conditions, when building is completely shut down or during extended periods of backflow conditions.



- Fig. 7150C CAULK INLET NO-HUB OUTLET
- Fig. 7150Y NO-HUB INLET & OUTLET

- Fig. 7151C . . . with 12(305) in. Extension/04(100) in. Inlet & Outlet
- Fig. 7151Y . . . with 12(305) in. Extension/04(100) in. Inlet & Outlet
- Fig. 7152C . . . with 24(610) in. Extension/04(100) in. Inlet & Outlet
- Fig. 7152Y . . . with 24(610) in. Extension/04(100) in. Inlet & Outlet
- Fig. 7153C . . . with 9 1/2(240) in. Extension/06(150) in. Inlet & Outlet
- Fig. 7153Y . . . with 9 1/2(240) in. Extension/06(150) in. Inlet & Outlet
- Fig. 7154C . . . with 21 1/2(545) in. Extension/06(150) in. Inlet & Outlet
- Fig. 7154Y . . . with 21 1/2(545) in. Extension/06(150) in. Inlet & Outlet

A SIZE	B DIA.	C	D	E	F
04(100)	8 (205)	18(455)	3 3/4(95)	12(305)	5(125)
06(150)	10 1/2(265)	20(510)	4 1/2(115)	14 1/2(370)	5(125)



NOTE: B.W.V. flapper set at factory to hang in closed position. Pin can be moved to permit flapper to hang open 1/4"(6) to permit air circulation.

NOTE: Fig. 7150C and 7150Y are accessible from finished floor. Non-rising stem with spade-shaped gate assures positive closure.

NOTE: Extension joint(s) must be caulked using 1"(25) of oakum and 1"(25) of poured lead. Not sized for compression type gaskets.

NOTE: During periods when manual shut-off valve is closed, use of building plumbing fixtures and drains must be avoided.

- Fig. 7155C . . . CAULK WITH EXTENSION ADAPTOR
- Fig. 7155Y . . . NO-HUB ONLY

REGULARLY FURNISHED:

Duco Cast Iron Body and Cover with Removable Wheel Handle. Bronze Gate and Bronze Flapper Valve. Cast Iron Extensions as Indicated by Figure Number Selected.

VARIATIONS:

- Outlet Sized for Service Weight -SW (When Specified)

NOTE: Dimensions shown in parentheses are in millimeters.

OPTIONAL MATERIALS:

- Galvanized Cast Iron -G

NOTE: These valves offer protection against backwater surges. Backflow is prevented when valve is not obstructed by debris or sludge. Use for gravity flow only, not for pressurized applications.

DRAWING NUMBER
S7150

SIZE
A

SCALE:
NONE

DATE:
5-16-83

APPROVED BY:
SJM

CHECKED BY:
DT

DRAWN BY:
BS

7150

WE CAN ASSUME NO RESPONSIBILITY FOR USE OF SUPERSEDED OR VOID DATA

DIMENSIONS ARE SUBJECT TO MANUFACTURERS TOLERANCE AND CHANGE WITHOUT NOTICE

REV.	DATE	DESCRIPTION	BY	CKD. BY
M	04/25/03	Removed 3" Size	JJ	CL
L	01/04/00	Added Details	JJ	JCS

WEIGHT POUNDS	VOLUME CUBIC FEET
---------------	-------------------

FIGURE NUMBER 7150

BACKWATER VALVES

INLINE MANUAL SHUT-OFF GATE VALVE

DRAWING NUMBER **S7150BS**

SIZE **A**

SCALE: **NONE**

DATE: **4-23-68**

APPROVED BY:

CHECKED BY:

DRAWN BY:

FIGURE NUMBER **7150BS**

WE CAN ASSUME NO RESPONSIBILITY FOR USE OF SUPERSEDED OR VOID DATA

DIMENSIONS ARE SUBJECT TO MANUFACTURERS TOLERANCE AND CHANGE WITHOUT NOTICE

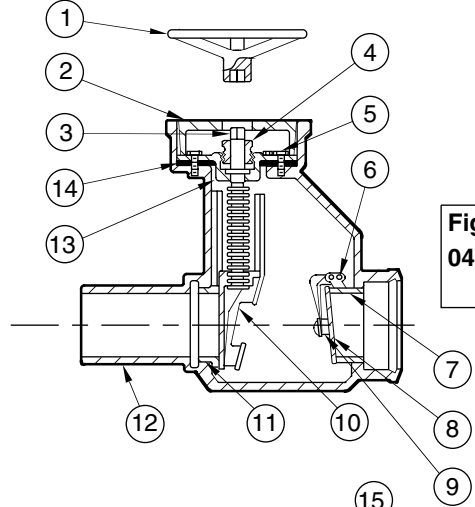


Fig. 7150
 04 (100), 06"(150)

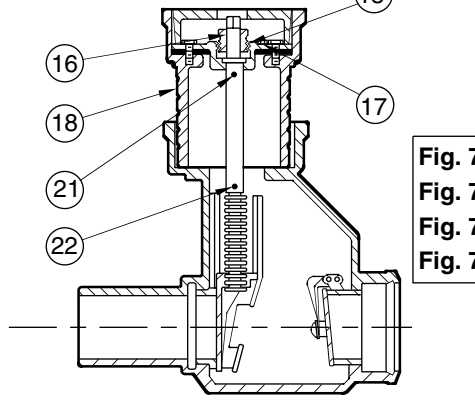


Fig. 7151 04"(100)
Fig. 7152 04"(100)
Fig. 7153 06" (150)
Fig. 7154 06"(150)

NOTE: Dimensions shown in parentheses are in millimeters.

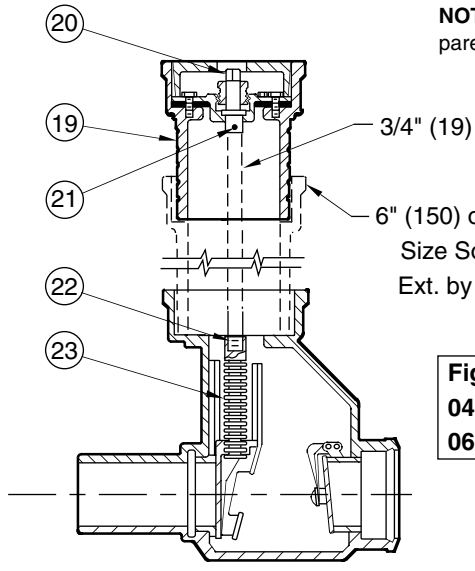


Fig. 7155
 04 (100),
 06"(150)

3/4" (19) Pipe Ext. by Others
 6" (150) or 8"(205)
 Size Soil Pipe
 Ext. by Others

PARTS LIST AND MAINTENANCE INSTRUCTIONS

PART NO.	DESCRIPTION
1	WHEEL HANDLE
2	COVER PLATE
3	STEM
4	PACKING BUSHING
5	VALVE PLATE BOLTS
6	B.W.V. PIN
7	B.W.V. BODY
8	B.W.V. COVER
9	B.W.V. ARM
10	GATE
11	GATE SEAT
12	BODY
13	VALVE PLATE
14	VALVE PLATE GASKET
15	PACKING
16	EXTENSION ROD ASSEMBLY
17	CHECK PLUG
18	EXTENSION
19	EXTENSION ADAPTOR
20	EXTENSION ADAPTOR STEM - TOP
21	STEM PIN
22	STEM PIN
23	EXTENSION ADAPTOR STEM ASS'Y - LOWER

NOTE: Extension joint(s) must be caulked using 1" (25) of oakum and 1" (25) of poured lead. Not sized for compression type gaskets.

NOTE: For Replacement Parts Specify Part No., Fig. No. and Size Gate Valve.

Cover Plate Dia. For 04" (100) Size 7" (180) Dia.
 Cover Plate Dia. For 06" (150) Size 9 1/2 (240) Dia.

SEMI-ANNUAL MAINTENANCE INSTRUCTIONS

1. REMOVE COVER PLATE.
2. LOOSEN FOUR BOLTS FROM VALVE PLATE.
3. CLOSE GATE VALVE UNTIL VALVE COVER PLATE LOOSENS.
4. REMOVE VALVE PLATE, STEM AND GATE ASSEMBLY.
5. HOSE DEBRIS FROM VALVE BODY AND LUBRICATE STEM AND DISC HINGE.
6. REPLACE ASSEMBLY IN VALVE BODY, MAKE SURE THE GATE IS IN TRACK.
7. START THE BOLTS, AND TURN WHEEL HANDLE TO OPEN POSITION.
8. TIGHTEN BOLTS.

REV.	DATE	DESCRIPTION	BY	CKD. BY	WEIGHT POUNDS	VOLUME CUBIC FEET	FIGURE NUMBER
E	1-19-96	Removed 03"	CMD	BS			7150BS
D	11-2-95	Removed 05"	EMB	BS			
C	7-10-95	Added Millimeters	EMB	BS			
B	9-30-92	Added Note	TWK	BS			
A	11-14-91	Update Dwg.	EMB	JCS			