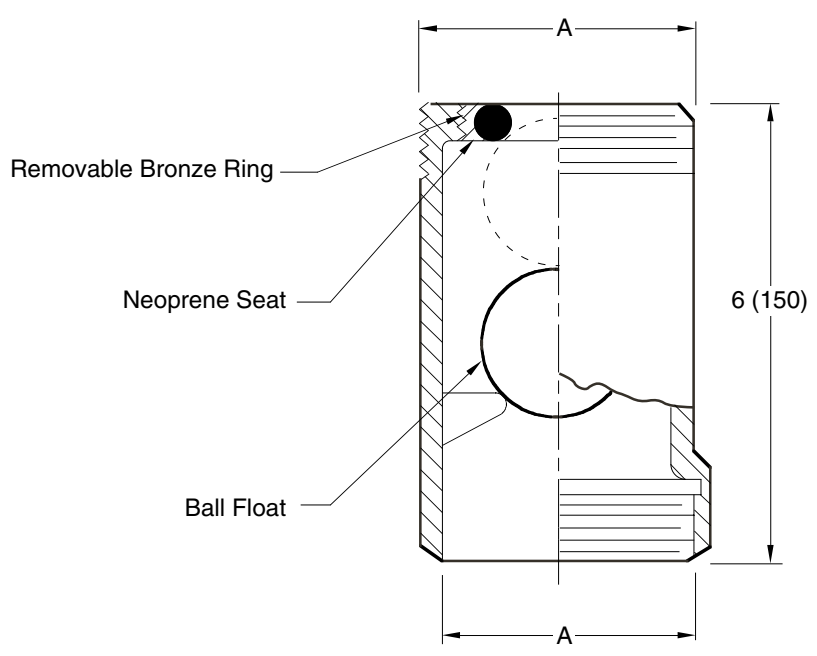


BACKWATER VALVES

DRAIN OUTLET VALVES

FUNCTION: Installed as independent backwater protection for bottom outlet floor drains to prevent damaging backflow from entering room where floor drain is installed.



A (Pipe Size) = 02(50), 03(80), 04(100), 05(125) or 06(150)

Sized for Service Weight and/or NO-HUB

Fig. 7080S . . . SPIGOT OUTLET

Fig. 7082T . . . THREADED OUTLET

REGULARLY FURNISHED:
 Duco Cast Iron Body with Ball Float
 Backwater Valve.

OPTIONAL MATERIALS:
 Bronze Body -BB
 Galvanized Cast Iron -G

NOTE: These valves offer protection against backwater surges. Backflow is prevented when valve is not obstructed by debris or sludge. Use for gravity flow only, not for pressurized applications.

NOTE: Dimensions shown in parentheses are in millimeters.

DRAWING NUMBER **S7080**
 SIZE **A**
 SCALE: **NONE**
 DATE: **5-10-83**
 APPROVED BY: **SJM**
 CHECKED BY: **DT**
 DRAWN BY: **BS**
7080
 DIMENSIONS ARE SUBJECT TO MANUFACTURERS TOLERANCE AND CHANGE WITHOUT NOTICE

C B A	7-10-95 8-18-94 10-90	Added Millimeters Submittal Update Added note	EMB EMB TBW	BS BS McD	WEIGHT POUNDS	VOLUME CUBIC FEET	FIGURE NUMBER 7080
REV.	DATE	DESCRIPTION	BY	CKD. BY			