

# BACKWATER VALVE

## TERMINAL VALVES

**FUNCTION:** Used at the end of sewer lines, which discharge into manholes, catch basins, drainage lagoons and seawalls to prevent backflow into areas which are to be drained.

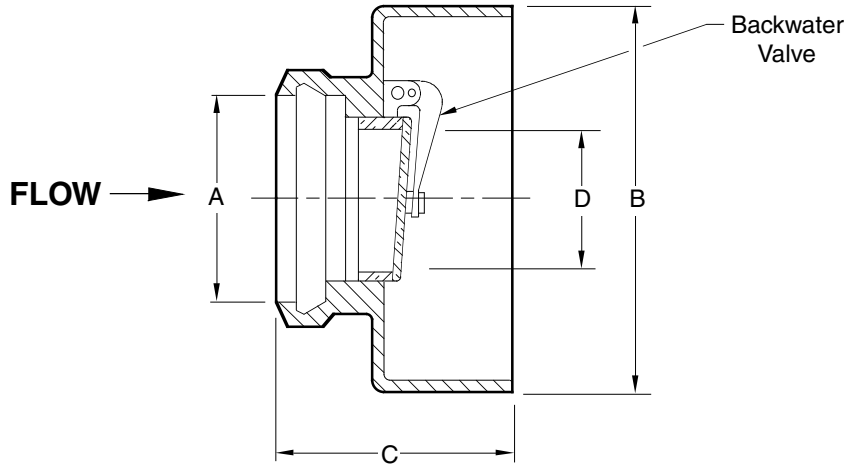


Fig. 7070C ... HUB TYPE

A SIZE	B DIA	C	D
02 (50)	6 1/4 (160)	5 1/4 (135)	1 3/4 (44)
03 (80)	8 (205)	5 1/2 (140)	2 3/4 (70)
04 (100)	9 (230)	5 3/4 (145)	3 3/4 (95)
05 (125)	11 1/2 (290)	6 (150)	4 1/2 (115)
06 (150)	11 1/2 (290)	6 (150)	5 3/4 (145)
08 (200)	13 1/2 (345)	6 3/4 (170)	8 (205)
10 (250)	15 3/4 (400)	7 3/4 (195)	10 (255)
12 (300)	17 1/2 (445)	8 3/4 (220)	12 (305)
16 (400)	26 1/4 (665)	16 1/2 (420)	18 (455)
18 (450)	26 1/4 (665)	16 (405)	18 (455)

**NOTE:** B.W.V. flapper set at factory to hang in closed position. Pin can be moved to permit flapper to hang open 1/4" (6) to permit air circulation.

**NOTE:** These valves offer protection against backwater surges. Backflow is prevented when valve is not obstructed by debris or sludge. Use for gravity flow only, not for pressurized applications.

**REGULARLY FURNISHED:**  
 Duco Cast Iron Body with Backwater Valve.

**OPTIONAL MATERIALS:**  
 Galvanized Cast Iron -G

DRAWING NUMBER S7070  
 SIZE A  
 SCALE: NONE  
 DATE: 5-5-83  
 APPROVED BY: SJM  
 CHECKED BY: DT  
 DRAWN BY: BS  
 7070  
 DIMENSIONS ARE SUBJECT TO MANUFACTURERS TOLERANCE AND CHANGE WITHOUT NOTICE

REV.	DATE	DESCRIPTION	BY	CKD. BY	WEIGHT POUNDS	VOLUME CUBIC FEET	<b>FIGURE NUMBER</b> <span style="font-size: 2em; font-weight: bold;">7070</span>
D	9-28-95	Chg'd Reg Furn, added Metrics	EMB	JCS			
C	8-17-94	Submittal Update	EMB	JCS			
B	2-18-93	Redrawn & Chg'd Reg Furn	EMB	JCS			
A	10-90	Added Note	TBW	McD			