



MEMBER OF:

LOCATION

F

DRAWING NUMBER  
S7000

SIZE  
A

SCALE:  
NONE

DATE:  
4-27-83

APPROVED BY:  
SJM

CHECKED BY:  
DT

DRAWN BY:  
BS

7000

FIGURE NUMBER

WE CAN ASSUME NO RESPONSIBILITY FOR USE OF SUPERSEDED OR VOID DATA

DIMENSIONS ARE SUBJECT TO MANUFACTURERS TOLERANCE AND CHANGE WITHOUT NOTICE

# BACKWATER VALVE

## PIT STYLE BACKWATER VALVE

**FUNCTION:** Used at the base of side walls in pits, where low elevation requires a vertical inlet grate and side outlet roughing. Backwater valve provides protection against backflow which could damage equipment in pit.

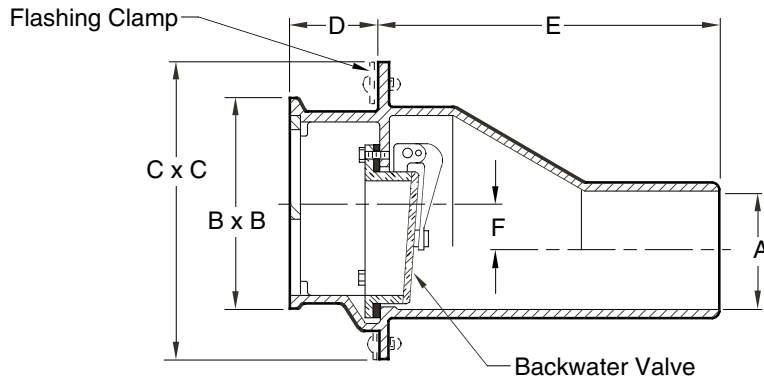


Fig. 7000S. . . . SPIGOT OUTLET

A SIZE	B x B	C x C	D	E	F	Free Area SQ. IN. (SQ CM)
*03 (80)	6 3/4(170) x 9 1/2(240)	10 1/4(260) x 12(305)	3 (76)	11 1/4 (285)	2 3/4 (70)	15 (97)
*04 (100)	6 3/4(170) x 9 1/2(240)	10 1/4(260) x 12(305)	3 (76)	11 1/4 (285)	2 1/4 (57)	15 (97)
05 (125) & 06 (150)	7 3/4(195) x 11(280)	9 3/4(250) x 13(330)	4 (100)	13 1/4 (335)	1 1/4 (32)	24 1/2 (158)
08 (200)	12 1/2(330) x 14 1/2(370)	17 1/4(440) x 19(485)	4 (100)	22 (560)	4 3/4 (120)	56 (361)

\*Sized for NO-HUB and/or Service Weight.

**NOTE:** B.W.V. flapper set at factory to hang in closed position. Pin can be moved to permit flapper to hang open 1/4" (6) to permit air circulation.

**REGULARLY FURNISHED:**

Duco Cast Iron Body with Backwater Valve and Cast Iron Secured Grate.

**VARIATIONS:**

- Flashing Clamp -C
- Less Backwater Valve -LBWV
- Service Weight Outlet -SW

**OPTIONAL MATERIALS:**

- Chrome Plated Face -CP
  - Galvanized Cast Iron -G
  - Nickel Bronze Face -NB
  - Polished Bronze Face -PB
  - Stainless Steel
- (Specify Fig. 9790)

**NOTE:** These valves offer protection against backwater surges. Backflow is prevented when valve is not obstructed by debris or sludge. Use for gravity flow only, not for pressurized applications.

REV.	DATE	DESCRIPTION	BY	CKD. BY
F	6-28-95	Chg'd Reg Furn, added Metrics	EMB	BS
D	8-17-94	Revised	EMB	BS
	1-18-94	Submittal Update	EMB	BS
C	2-10-93	Redraw & Chg'd Red Furn	EMB	JCS

WEIGHT POUNDS	VOLUME CUBIC FEET
------------------	----------------------

**FIGURE NUMBER**  
**7000**