



**Ox Bow Design Series**

**Fig. # 0710**

Labor Saver® Fixture Support-Lavatory Support with Concealed Arms

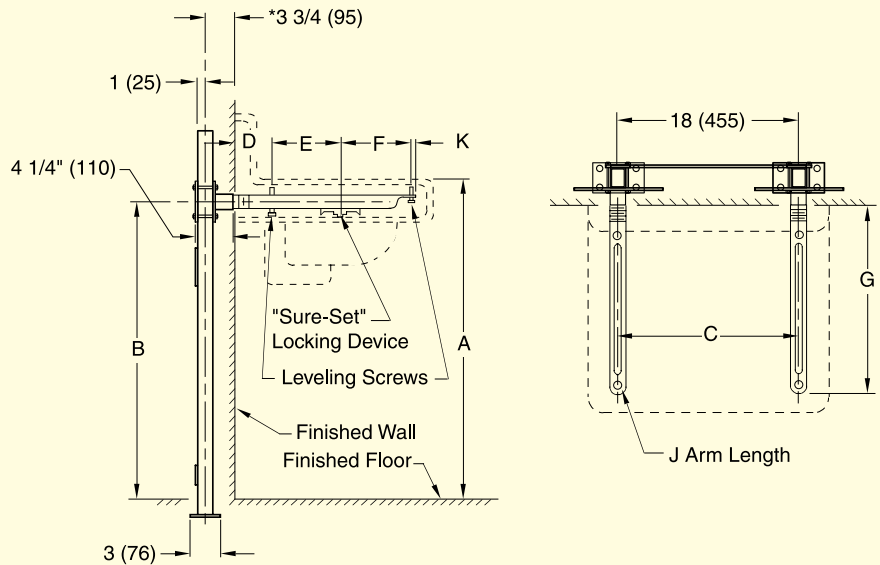
**Product Features:**

- Compact and rigid one piece steel frame.
- Pre-assembled - few components to be lost.
- Reduced inventory - one support for most lavatory applications.
- Unique bracket design - for all types of concealed lavatory fixtures.
- Reduced installation space - fits narrow wall and metal stud configurations.
- Labor savings - dramatically reduces cost associated with assembly, installation and material handling.
- Excellent versatility for prefab assembly in battery.
- Easier to adjust - needs front adjustment only after the wall is in place.
- Superior to traditional support - which requires both front and back access for final adjustment.
- Conforms to the applicable ASTM Specifications.
- Meets or exceeds the applicable requirements of ASME A112.6.1 M 1997.
- IAPMO Listed
- Patent Pending

# LABOR SAVER® FIXTURE SUPPORT

**FUNCTION:** The Labor Saver® Fixture Support has been designed to speed up the installation process by using a one-piece, pre-assembled rigid steel frame construction. This innovative support allows for installation in narrow wall and metal stud configurations. The fixture support features both horizontal and vertical adjustability to fit varying installation conditions.

## Lavatory Support with Concealed Arms

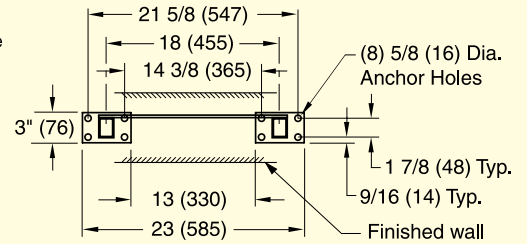


**Fig. 0710 . . . FOR HIGH BACK LAVATORIES (shown)**

**NOTE:** The rough-in dimensions listed on this drawing are based on current information available to Jay R. Smith by the fixture manufacturers. We recommend that you verify these dimensions with the fixture manufacturer. We will not accept responsibility for rough-in dimension changes by the fixture manufacturer.

**NOTE:** \*This dimension can be increased when fixture support is to be installed behind the wall. (Specify when required and wall thickness).

**NOTE:** Dimensions shown in parentheses are in millimeters.



**BASE DETAIL**

**Symmetric Design Series** will accommodate a variety of fixture manufactures in several configurations:

- Off-the-floor urinals (Fig. # 0609/0610; 0614 and 0615; and 0616/0617)
- Off-the-floor lavatories; exposed arm (Fig. #0760 and 0762) and concealed hanger (Fig. # 0801)
- Off-the-floor water coolers (Fig. # 0830 and 0831)
- Off-the-floor sinks (Fig. # 0924 and 0925)



Lavatory support with exposed arms (Figure #0760)

## Plastic Insert to Protect Bracket Threads



Protect the arm coupling threads during installation with plastic inserts provided. The inserts remain in place during wall construction leaving an opening and providing quick access for the lavatory arm installation.