



Fig. # 4100

Finished Floor Cleanouts with
"Twis-to-Floor®" Adjustable Tops

Product Features:

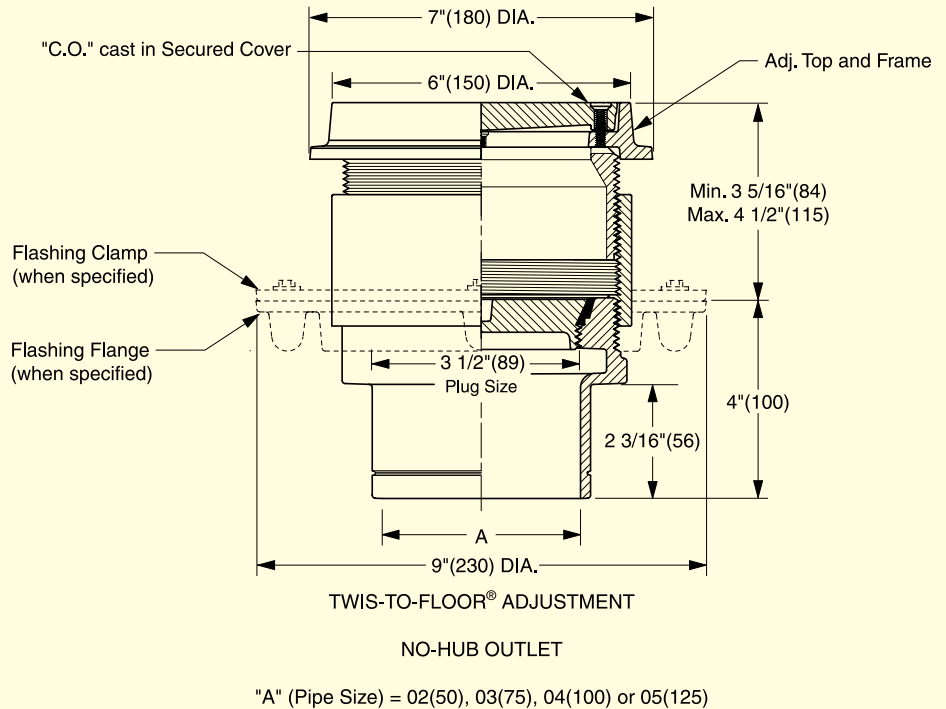
- One size top assembly for 2-4" outlet ferrules eliminates sorting tops by size, maximizes installation versatility and uniform appearance.
- Regularly furnished thicker finished floor cover reinforced with support ribs for strength and durability to eliminate dishing.
- Regularly furnished finished floor cleanouts provided with unique new top assembly which allows for interchangeability of scoriated, tile or terrazzo covers AFTER finished concrete pour.
- Finished floor top frame and cover secured independently so frame stays in place when cover is removed during maintenance.
- The smooth outside surface of the top assembly and the thread protector Styrofoam ring maximize adjustment during and after the finished floor concrete pour.
- 2-4" ferrules for no-hub, spigot, inside caulk or gasket outlet connection provided with external machined thread for positive non-tilt engagement of adjustable top.
- Machined ferrule provides positive non-tilt engagement for optional threaded anchor flange and clamping collar which can be adjusted for waterproof membrane placement.

Ferrule Assembly Features:

- Easy to attach and remove to adjust frame.
- Easy to install clamping device.
- Cast iron clamping device providing maximum clamping force to the membrane.

JUBILEE "TWIS-TO-FLOOR®" 4000 SERIES CLEANOUTS

Jay R. Smith Mfg. Co.'s "Jubilee Series" Cleanout line meets all the requirements of codes and standards for maximum access, while providing an aesthetically pleasing product for finished floor installation. The Twis-To-Floor® Cleanouts also incorporate additional strength during and after installation and unique versatility in adjustment before and after the pour, features every contractor can get excited about using.



- Fig. 4100S.....Gasket Seal - ABS Plug
- Fig. 4101S.....Gasket Seal - Bronze Plug
- Fig. 4103S.....Taper Thread - Bronze Plug
- Fig. 4104S.....Taper Thread - ABS Plug

(Twis-to-Floor® design shown with gasketed plug.)

NOTE: Dimensions shown in parentheses are in millimeters.

REGULARLY FURNISHED:

Duco Cast Iron Cleanout with Round Adjustable Scoriated Secured Nickel Bronze Top. Closure Plug Type as Indicated By Figure Number Selected.

VARIATIONS:

- Flashing Flange -F
- Flange with Flashing Clamp -F-C
- Vandal Proof Top -U

OPTIONAL MATERIALS:

- Galvanized Cast Iron -G
- Polished Bronze Top -PB

