



**Fig. # 2038**  
Shower Drain with FormIt™ Drain Installation Device

**Product Features:**

- Permits pre-assembly of the drain to the decking without having any connected piping below.
- Four anchor holes secure FormIt™ to the deck or sub-floor providing rigidity and stability for the drain assembly during construction and concrete pour.
- Drain elevation can be easily adjusted and leveled to meet finished floor height or pre-adjusted to a known rough-in dimension prior to arrival on jobsite.
- After concrete has set and the forms have been stripped away, FormIt™ creates an open cavity after removing foam insert under plate, allowing easy access for final connection of the waste line piping.
- FormIt™ eliminates the frustration of resetting a drain that has fallen over or is misaligned which will save time and labor costs.

# FormIt™ DRAIN INSTALLATION DEVICE

**FUNCTION:** The Jay R. Smith Mfg. Co. FormIt™ Drain Installation Device is designed to stabilize the drain and provide adjustment during the installation process and allows final connection of outlet piping to drain after the concrete pour. FormIt™ is available for shower drains, 8 1/2" & 12" diameter floor drains, 8 1/2" & 12" diameter or square enameled floor sinks with no-hub outlets and 12" square stainless steel floor sinks. FormIt™ can be sold pre-assembled with the drain or sold separately as the Drain Installation Device only –DID.

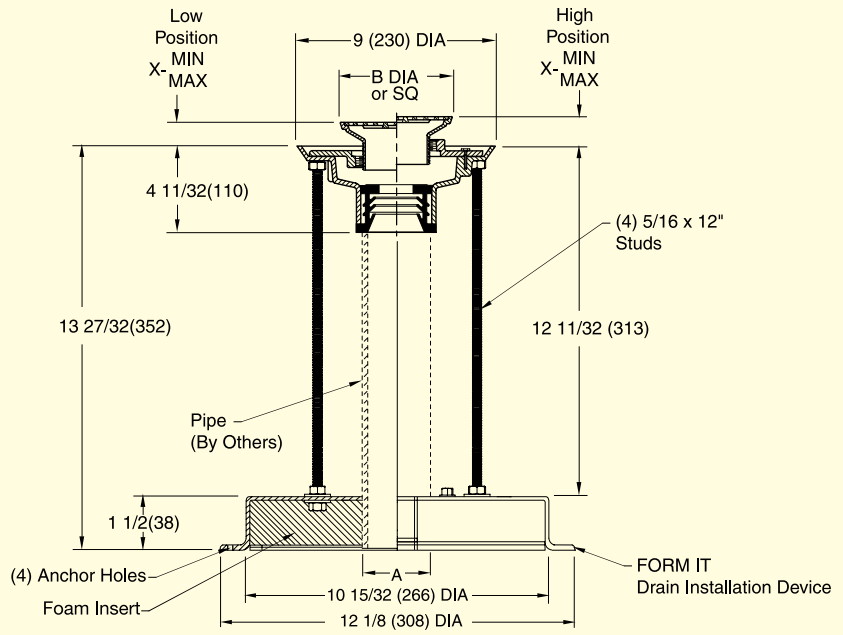


Fig. 2038L.....(A) Round Top  
Fig. 2038L.....(B) Square Top

Outlet Size	Nickel Bronze Strainer Head
▲ 02(50)	05(125) DIA or SQ
▲ 03(75)	06(150) DIA or SQ
▲ 04(100)	08(205) DIA or SQ

Strainer Size	*Collar In High Position		*Collar In Low Position		Free Area (SQ IN)	
	B	X	XX	XX	ROUND	SQUARE
05 (125)	1 1/4 (32)	2 1/4 (57)	3/4 (19)	1 5/8 (41)	7 (45)	6.5 (42)
06 (150)	1 1/4 (32)	2 1/4 (57)	3/4 (19)	1 5/8 (41)	9 (58)	12.5 (81)
07 (180)	1 1/4 (32)	2 1/4 (57)	7/8 (22)	1 7/8 (48)	14 (90)	11 (71)
08 (205)	1 1/2 (38)	2 1/2 (64)	1 (25)	1 7/8 (48)	17 (110)	14 (90)
*09 (230)	1 1/2 (38)	2 3/8 (60)	1 (25)	1 7/8 (48)	18 (116)	16 (103)
*10 (255)	1 1/2 (38)	2 3/8 (60)	1 (25)	1 7/8 (48)	23 (148)	16 (103)

**REGULARLY FURNISHED:**

Duco Cast Iron Body with Speedi-Set Outlet and Adjustable Strainer Head (as specified) with FORM IT Drain Installation Device and Hardware.

▲ Meets ANSI Spec A112.6.3-2001 02(50), 03(75) or 04(100) sizes only.

**NOTE:** Dimensions shown in parentheses are in millimeters.

**VARIATIONS:**

- Flapper Type Backwater Valve -V
- Hinged Grate -H
- Sediment Bucket -B
- Trap Primer Connection -P050
- 1/2" (13) & -P075 3/4" (19)
- Vandal Proof Screws -U
- T Threaded Outlet

**OPTIONAL MATERIALS:**

- Bronze Body -BB
- Chrome Plated Strainer -CP
- Galvanized Cast Iron Body -G
- Nickel Bronze Strainer -NB
- Polished Bronze Strainer -PB
- Stainless Steel Body and Strainer Head -SS

**Figure number: 2038-DID**

## FormIt™ Drain Installation Device Submittals

**Floor and Shower Drains**

**Description**

Shower Drain with FormIt™ Drain Installation Device  
FormIt™ Drain Installation Device for Shower Drain Series  
8 1/2" and 12" Diameter Top Floor Drains with FormIt™ Drain Installation Device

FormIt™ Drain Installation Device for 8 1/2" and 12" Diameter Top Cast Iron Floor Drains

**Model Number**

2038  
2038DID  
2039

2039DID

**Applies to Figure Numbers:**

2005, 2010, 9700  
2005, 2010, 9700  
2110, 2120  
2131, 2140, 2141, 2142  
2110, 2120  
2131, 2140, 2141, 2142

**Sanitary Floor Drains**

**Description**

8 1/2" Square Enameled Floor Sink with FormIt™ Drain Installation Device  
FormIt™ Drain Installation Device for 8 1/2" Square Enameled Floor Sink Series  
12" Square Enameled Floor Sink with FormIt™ Drain Installation Device  
FormIt™ Drain Installation Device for 12" Square Enameled Floor Sink Series

**Model Number**

3038  
3038DID  
3039  
3039DID

**Applies to Figure Numbers:**

3100 Series  
3100 Series  
3420, 3430, 3440  
3420, 3430, 3440

**Specialty (Stainless) Floor Sinks**

**Description**

Stainless Steel Floor Sink with FormIt™ Drain Installation Device  
FormIt™ Drain Installation Device for Stainless Steel Floor Sink Series

**Model Number**

9095  
9095DID

**Applies to Figure Numbers:**

3001, 9691  
3001, 9691