



# ENVIRO-FLO® TRENCH DRAIN SERIES

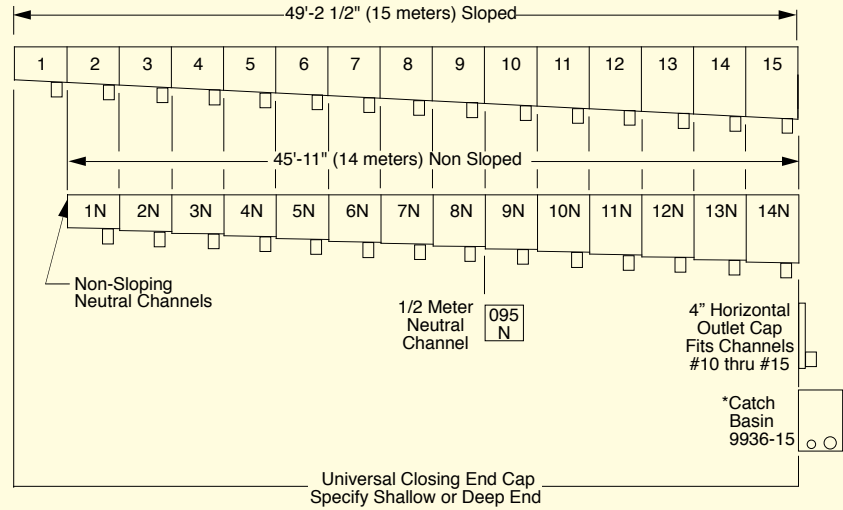
**FUNCTION:** Used in all surface drainage applications, may be assembled in any length utilizing interlocking tongue and groove ends. This reduces installation time and cost, providing an engineered, sloped solution for drainage requirement.

**Fig. # 9930**

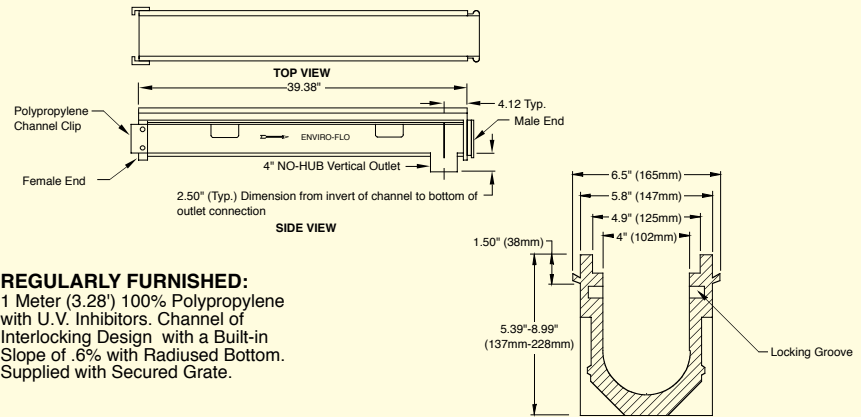
The Enviro-Flo Trench Drain

**Product Features:**

- No charge precut wooden channel inserts for protection and easy cleanup and properly sized for concrete pour.
- Easy tongue and groove interlocking channel and end cap system. More time savings for the installer.
- 4" integral molded bottom outlet on every channel - labor and material savings.
- Each side of the channel has a piece of steel embedded above the flange – this prevents any warping or bowing in the Enviro-Flo® channel.
- Directional changes are achieved by simply cutting off the male ends which are attached together with a few provided screws.
- Variety of grates and frames for light duty to extra heavy duty applications and pockets in the channel to provide a positive lockdown.
- QuickLock® grate locking system makes grate assembly literally a snap.
- Clips and hardware provided on every channel for pre-assembling the channels.
- Polypropylene is more chemical resistant and the joint can be welded.



**NOTE:** All 1 Meter Long Sloped and Neutral Channels have a Molded 4" (111mm) No-Hub bottom Connection. The #095N 1/2 Meter Channel does not have a bottom Outlet Connection.



**REGULARLY FURNISHED:**  
 1 Meter (3.28') 100% Polypropylene with U.V. Inhibitors. Channel of Interlocking Design with a Built-in Slope of .6% with Radiused Bottom. Supplied with Secured Grate.

\*NOTE: If catch basin is specified for any other channel except for the #15 channel, a channel shim must be ordered part number 9930-ESK

- VARIATIONS:**
- Grate Specifications (See Back)
  - Closing End Cap
  - Horizontal Outlet 4"
  - Channel Chair
  - Catch Basin Only 9935 (Specify Outlet Channel)
  - Catch Basin Bucket, available catch basin only 9935
  - Stainless Steel Overlay
  - Rail Edge (Type 304)
  - Rante Arrow

**Note:** This trench drainage system is designed for "on grade applications only", as there are no provisions for a flashing flange or flashing clamp.

