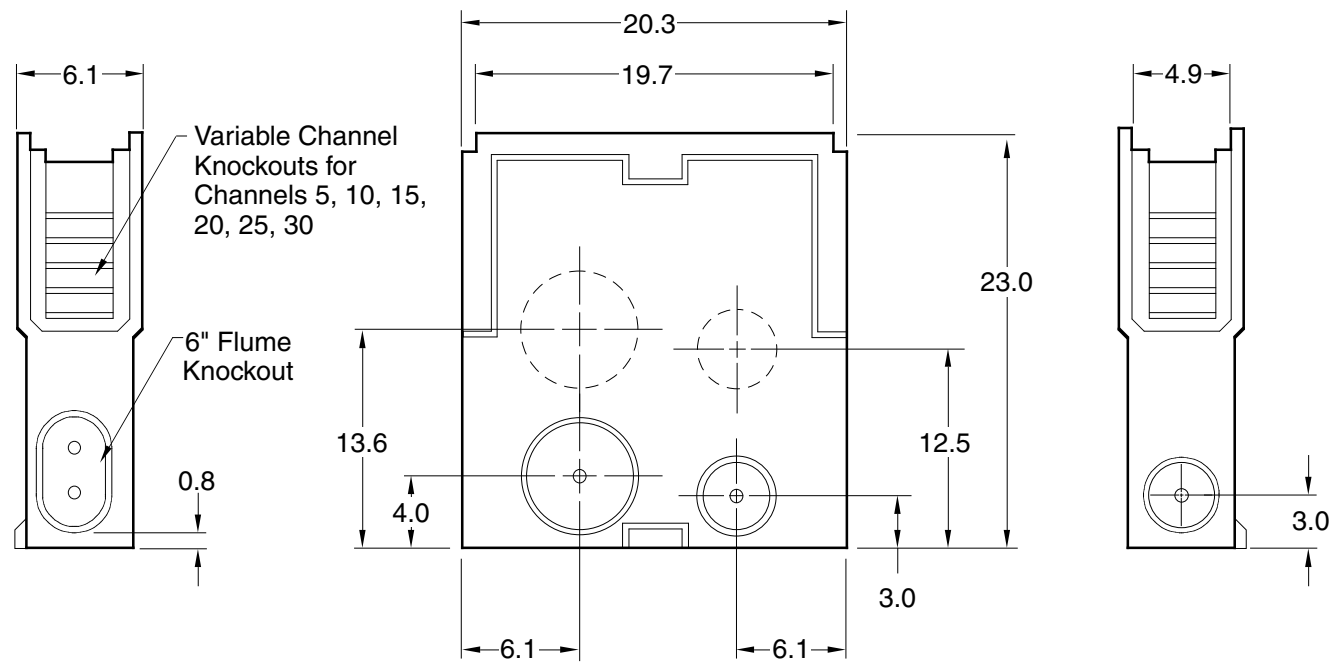


9860 CATCH BASIN



NOTE:
 Catch basin requires a minimum of 4" of concrete or slab thickness, whichever is greater, around and under complete unit.



BOTTOM VIEW OF CATCH BASIN

REGULARLY FURNISHED:
 Precast Polymer Concrete Catch Basin with Preformed 4" and 6" Knockouts. Supplied with Secured Grate per Your Specifications.

- VARIATIONS:**
- Plastic Sediment Bucket
 - End Cap (Shallow Only)
 - Grate Specifications (See Back)

OPTIONAL MATERIALS:
 Vinylester Resin



DRAWING NUMBER: a9860
 SIZE: A
 SCALE: NONE
 DATE: 9-24-93
 APPROVED BY: PACE
 CHECKED BY: TWK
 DRAWN BY: TWK
 FIGURE NUMBER: **9860**

WE CAN ASSUME NO RESPONSIBILITY FOR USE OF SUPERSEDED OR VOID DATA

C	11-11-08	Revised Variations	RN	MD	WEIGHT POUNDS	VOLUME CUBIC FEET	FIGURE NUMBER
B	9-5-02	Added New ACO Logo	RN				9860
A	8-3-98	Removed Bottom Outlet Note	CMD				
REV.	DATE	DESCRIPTION	BY	CKD. BY			

9860 CATCH BASIN

GRATE SPECIFICATIONS BY LOAD CLASS

DRAWING NUMBER: a9860BS
 SIZE: A
 SCALE: N/A
 DATE: 9-24-98
 APPROVED BY: PACE
 CHECKED BY: TWK
 DRAWN BY: TWK
 FIGURE NUMBER: 9860BS

WE CAN ASSUME NO RESPONSIBILITY FOR USE OF SUPERSEDED OR VOID DATA
 DIMENSIONS ARE SUBJECT TO MANUFACTURERS TOLERANCE AND CHANGE WITHOUT NOTICE

Light Duty, DIN 19580 Class A - 3,500 lbs - 70 psi
For pedestrian, wheel chair and bicycle traffic

- 9870-410-GP- 1/4" dia. perforated galv. steel grate (27.60 SQ. IN.)
- 9870-420-G - 3 1/4" x 3/8" slotted galv. steel grate (42.60 SQ. IN.)
- 9870-440-VF - 4 7/8" x 5/8" vinylester fiberglass bar grate (144.00 SQ. IN.)
- 9870-440-VF2 - 4 7/8" x 3/8" vinylester fiberglass bar grate (113.00 SQ. IN.)
- 9870-450-SS- 3 1/4" x 3/8" slotted stainless steel grate (42.60 SQ. IN.)
- 9870-451-SSPA- 1/4" dia. perforated stainless steel grate (27.60 SQ. IN.)
- 9870-445-SSADA- 13/16" x 3/16" longitudinal stainless steel slot bar grate (95.00 SQ. IN.)
- 9870-494-PADA-1 1/4" x 5/16" longitudinal slot black polypropylene grate (28.0 SQ.IN.)
- 9870-491-HPP-1 13/16" x .25 slotted black polypropylene grate non-Q-loc (17.00 SQ.IN.)

Heavy Duty, DIN 1 9580 Class C -56,000 lbs - 1,162 psi
For commercial pneumatic tire traffic patterns, forklifts and tractor trailers

- 9870-405-GM- 1 3/16" x 1/2" longitudinal galv. steel slot bar grate (125.30 SQ. IN.)
- 9870-411 -GPHD 1/4" dia. perforated galv. steel grate (27.60 SQ. IN.)
- 9870-416 -GS- soild galvanized steel cover
- 9870-425-GHD- 3 1/4" x 3/8" slotted galv. steel grate (42.60 SQ. IN.)
- 9870-430-SSM- 13/16" x 1/2" longitudinal stainless steel slot bar grate (125.30 SQ.IN.)
- 9870-455-SSHD- 3 1/4" x 3/8" slotted stainless steel gate (42.60 SQ. IN.)
- 9870-465-SSP- 1/4" dia. perforated stainless steel grate (27.60 SQ. IN.)
- 9870-477-ML- 1 1/4" x 1" longitudinal ductile iron slotted grate (42.00 SQ. IN.)
- 9870-479-MD- Mosaic pattern ductile iron grate (19.50 SQ.IN)
- 9870-485-PB-1/4" dia. perforated brass grate (27.60 SQ.IN.)
- 9870-492-RC- 1 1/2" x 13/16" slotted resin composite grate (16.3 0 SQ. IN.)

NOTE: The grate securing bolt must remain secured in the grate and tightened to the locking bar installed in the catch basin. If the grate securing bolt is removed from the grate for maintenance of the catch basin, it must be replaced and retightened. If the grate securing bolt is left out of the grate, the life span of the catch basin could be affected along with the safety of pedestrian traffic.



E	8/25/05	Revised Table	RN	PJ			
D	9/5/02	Added New ACO Logo	RN	PJ			
C	07/02/01	Added HPP, RC Grates	JJ				
B	6-26-98	Revised Grates	CMD	PJ			
REV.	DATE	DESCRIPTION	BY	CKD. BY	WEIGHT POUNDS	VOLUME CUBIC FEET	FIGURE NUMBER
							9860BS