



JAY R. SMITH MFG. CO.
 DIVISION OF SMITH INDUSTRIES, INC.
 POST OFFICE BOX 3237
 MONTGOMERY, ALABAMA 36109-0237 (USA)
 TEL: 334-277-8520 FAX: 334-272-7396 www.jrsmith.com



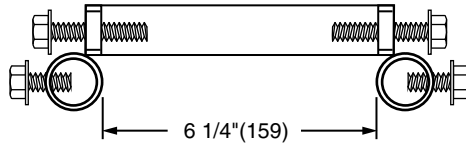
MEMBER OF:



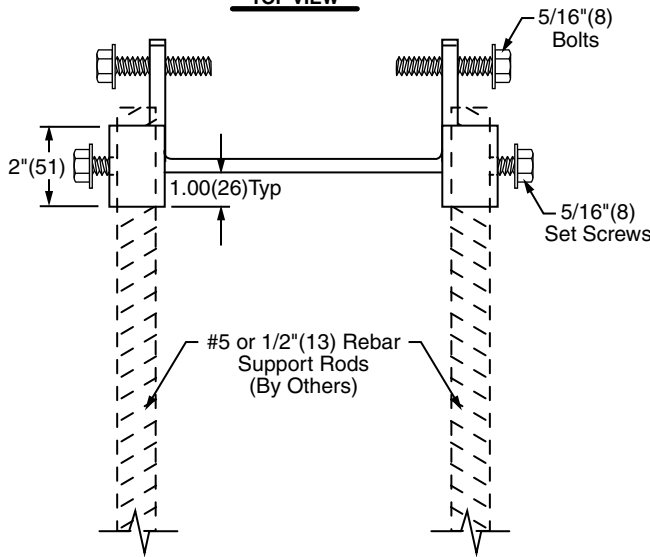
LOCATION

9869-R REBAR CHANNEL SUPPORT STAND

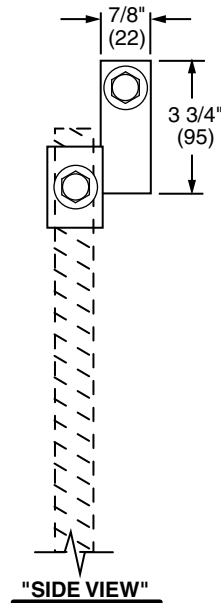
FUNCTION: Supports channels and keeps them from floating, allows vertical and horizontal adjustment as well as allowing for a monolithic cement pour. Suitable for 9814, 9816, 9818, 9820 and 9930/9931 systems.



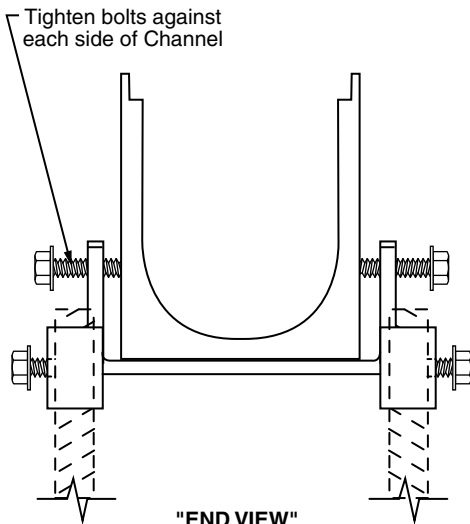
"TOP VIEW"



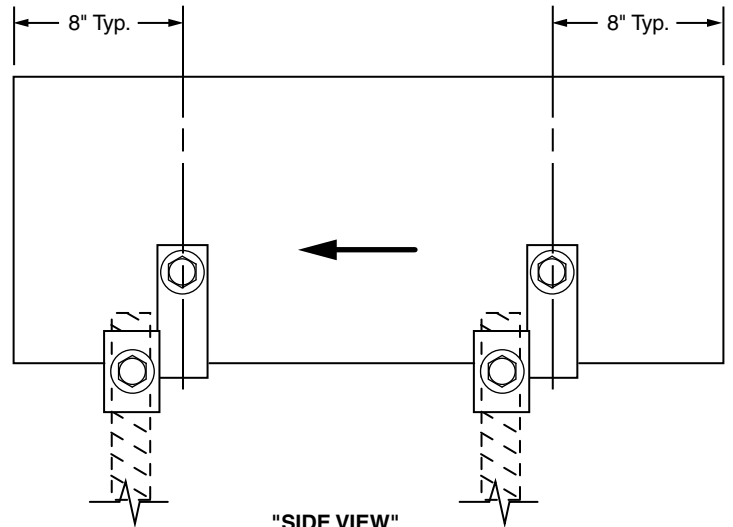
"FRONT VIEW"



"SIDE VIEW"



"END VIEW"



"Typ. Installation Detail"



DRAWING NUMBER
9869-R

SIZE
A

SCALE:
NONE

DATE:
5-11-06

APPROVED BY:
PJ

CHECKED BY:
PJ

DRAWN BY:
RN

FIGURE NUMBER
9869-R

WE CAN ASSUME NO RESPONSIBILITY FOR USE OF SUPERSEDED OR VOID DATA

DIMENSIONS ARE SUBJECT TO MANUFACTURERS TOLERANCE AND CHANGE WITHOUT NOTICE

REV.	DATE	DESCRIPTION	BY	CKD. BY

WEIGHT POUNDS	VOLUME CUBIC FEET

FIGURE NUMBER 9869-R
