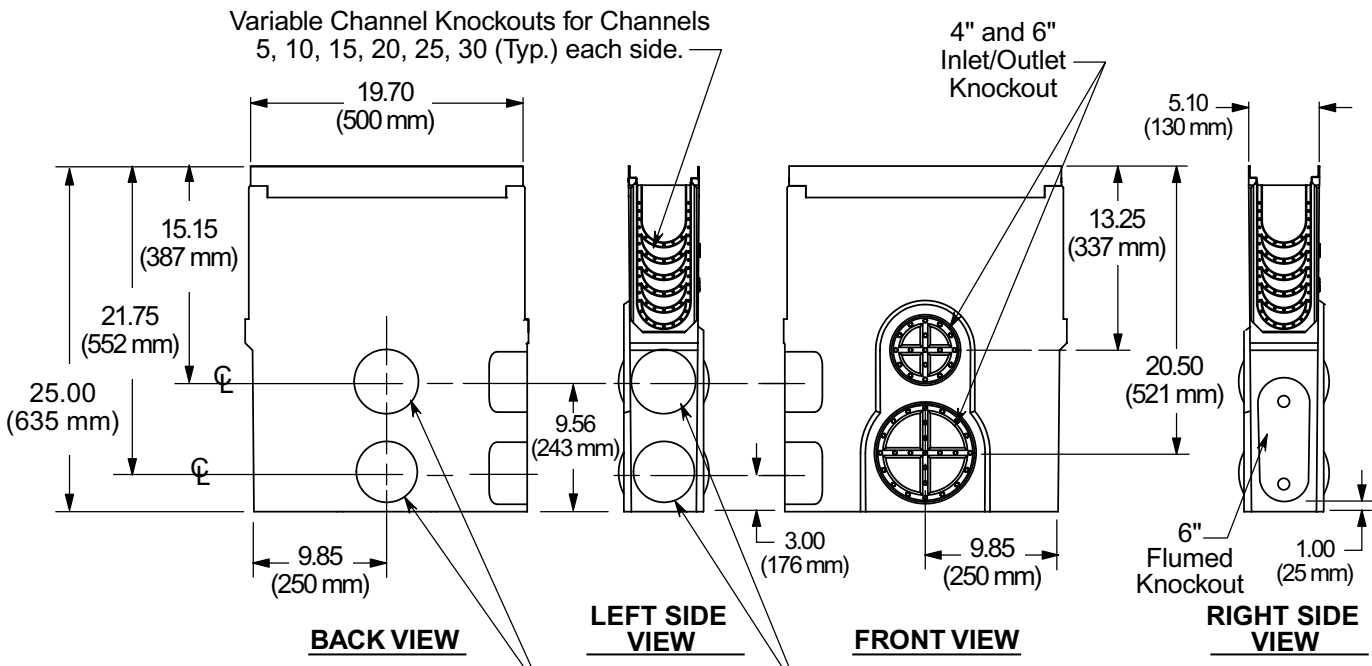


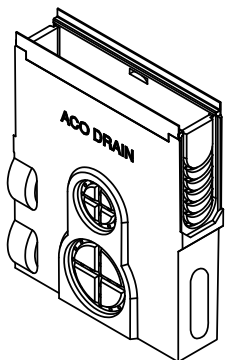
9868 CATCH BASIN



*4" Plugs removed for Foul-Air trap use, bottom plug for side Drain Outlet (sized for 4" Sch. 40 PVC Pipe)

*4" Plugs removed for Foul-Air trap use, bottom plug for end Drain Outlet (sized for 4" Sch. 40 PVC Pipe)

***NOTE:** Outlet Pipe connections must have a 30° chamfer on edge being inserted into preformed outlet. Also apply grease around the chamfered edge of the PVC Pipe before inserting into O-Ring connection.



VARIATIONS:

- Plastic Sediment Bucket
- End Cap
- Grate Specifications (See Back)
- 4" Foul-Air Trap Fitting

REGULARLY FURNISHED:
 Precast Polymer Concrete Catch Basin with Integral Metal Rail with Preformed 4" and 6" Knockouts. Supplied with Secured Grate Per Your Specifications.

OPTIONAL MATERIALS:

- Vinylester Resin
- Stainless Steel Rail

NOTE:
 Catch basin requires a minimum of 4" of concrete or slab thickness, whichever is greater, around and under complete unit.



DRAWING NUMBER: 9868
 SIZE: A
 SCALE: NONE
 DATE: 9-24-93
 APPROVED BY: PACE
 CHECKED BY: TWK
 DRAWN BY: TWK
 FIGURE NUMBER: 9868

WE CAN ASSUME NO RESPONSIBILITY FOR USE OF SUPERSEDED OR VOID DATA
 DIMENSIONS ARE SUBJECT TO MANUFACTURERS TOLERANCE AND CHANGE WITHOUT NOTICE

D	8-13-04	Revised Dwg.	RN	PJ
C	9-5-02	Added New ACO Logo	RN	PJ
B	8-3-98	Removed Bottom Outlet Note	CMD	PJ
A	1-21-94	Added Channels	TWK	PJ
REV.	DATE	DESCRIPTION	BY	CKD. BY

WEIGHT POUNDS	VOLUME CUBIC FEET	FIGURE NUMBER
		9868

C



JAY R. SMITH MFG. CO.®
 DIVISION OF SMITH INDUSTRIES, INC.
 POST OFFICE BOX 3237
 MONTGOMERY, ALABAMA 36109-0237 (USA)
 TEL: 334-277-8520 FAX: 334-272-7396 www.jrsmith.com



MEMBER OF:



LOCATION

9868 CATCH BASIN

GRATE SPECIFICATIONS BY LOAD CLASS

Light Duty, DIN 19580 Class A - 3,500 lbs - 70 psi
For pedestrian, wheel chair and bicycle traffic

<input type="checkbox"/>	9870-410-GP- 1/4" dia. perforated galv. steel grate (27.60 SQ. IN.)
<input type="checkbox"/>	9870-420-G - 3 1/4" x 3/8" slotted galv. steel grate (42.60 SQ. IN.)
<input type="checkbox"/>	9870-440-VF - 4 7/8" x 5/8" vinylester fiberglass bar grate (144.00 SQ. IN.)
<input type="checkbox"/>	9870-440-VF2 - 4 7/8" x 3/8" vinylester fiberglass bar grate (113.00 SQ. IN.)
<input type="checkbox"/>	9870-450-SS- 3 1/4" x 3/8" slotted stainless steel grate (42.60 SQ. IN.)
<input type="checkbox"/>	9870-451-SSPA- 1/4" dia. perforated stainless steel grate (27.60 SQ. IN.)
<input type="checkbox"/>	9870-445-SSADA- 13/16" x 3/16" longitudinal stainless steel slot bar grate (95.00 SQ. IN.)
<input type="checkbox"/>	9870-494-PADA-1 1/4" x 5/16" longitudinal slot black polypropylene grate (28.0 SQ. IN.)
<input type="checkbox"/>	9830-HPP-1 13/16" x .25 slotted black polypropylene grate non-Q-loc (17.00 SQ. IN.)

Heavy Duty, DIN 1 9580 Class C -56,000 lbs - 1,162 psi
For commercial pneumatic tire traffic patterns, forklifts and tractor trailers

<input type="checkbox"/>	9870-405-GM- 1 3/16" x 1/2" longitudinal galv. steel slot bar grate (125.30 SQ. IN.)
<input type="checkbox"/>	9870-411 -GPHD 1/4" dia. perforated galv. steel grate (27.60 SQ. IN.)
<input type="checkbox"/>	9870-416 -GS- solid galvanized steel cover
<input type="checkbox"/>	9870-425-GHD- 3 1/4" x 3/8" slotted galv. steel grate (42.60 SQ. IN.)
<input type="checkbox"/>	9870-430-SSM- 13/16" x 1/2" longitudinal stainless steel slot bar grate (125.30 SQ. IN.)
<input type="checkbox"/>	9870-455-SSHD- 3 1/4" x 3/8" slotted stainless steel gate (42.60 SQ. IN.)
<input type="checkbox"/>	9870-465-SSP- 1/4" dia. perforated stainless steel grate (27.60 SQ. IN.)
<input type="checkbox"/>	9870-477-ML- 1 1/4" x 1" longitudinal ductile iron slotted grate (42.00 SQ. IN.)
<input type="checkbox"/>	9870-479-MD- Mosaic pattern ductile iron grate (19.50 SQ. IN.)
<input type="checkbox"/>	9870-485-PB-1/4" dia. perforated brass grate (27.60 SQ. IN.)
<input type="checkbox"/>	9870-492-RC- 1 1/2" x 13/16" slotted resin composite grate (16.3 0 SQ. IN.)

Extra Heavy Duty, DIN 19580 Class E- 135,000 lbs - 2,788 psi
For commercial solid tire traffic patterns, forklifts and impacts from steel struts or metal wheels.

<input type="checkbox"/>	9870-435-GHDE- 3 1/4" x 3/8" slotted galv. steel grate (42.60 SQ. IN.)
<input type="checkbox"/>	9870-456-MS- solid ductile iron cover
<input type="checkbox"/>	9870-461-M- 3 15/16" x 3/8" ductile iron slotted grate (21.00 SQ. IN.)
<input type="checkbox"/>	9870-477-MADA- 1 1/4" x 5/16" longitudinal ductile iron slotted grate (14.30 SQ. IN.)
<input type="checkbox"/>	9870-490-SSHDE- 3 1/4" x 3/8" slotted stainless steel grate (42.60 SQ. IN.)

NOTE: The grate securing bolts must remain secured in the grate and tightened to the locking bar installed in the catch basin. If the grate securing bolt is removed from the grate for maintenance of the catch basin, it must be replaced and retightened. If the grate securing bolt is left out of the grate, the life span of the catch basin could be affected along with the safety of pedestrian traffic.

DRAWING NUMBER
a9868BSSIZE
ASCALE:
N/ADATE:
9-24-93APPROVED BY:
PACECHECKED BY:
TWKDRAWN BY:
TWK

9868BS

FIGURE NUMBER

WE CAN ASSUME NO RESPONSIBILITY FOR USE OF SUPERSEDED OR VOID DATA
DIMENSIONS ARE SUBJECT TO MANUFACTURERS TOLERANCE AND CHANGE WITHOUT NOTICE

C	8-13-04	Revised Table	RN	PJ	WEIGHT POUNDS	VOLUME CUBIC FEET	FIGURE NUMBER 9868BS
B	9-5-02	Added New ACO Logo	RN	PJ			
A	6-16-98	Added securing grate note	ASL	PJ			
REV.	DATE	DESCRIPTION	BY	CKD. BY			