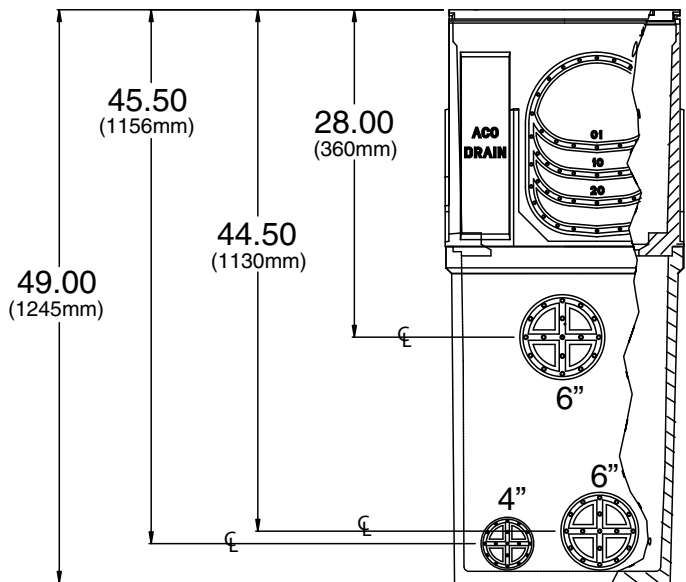
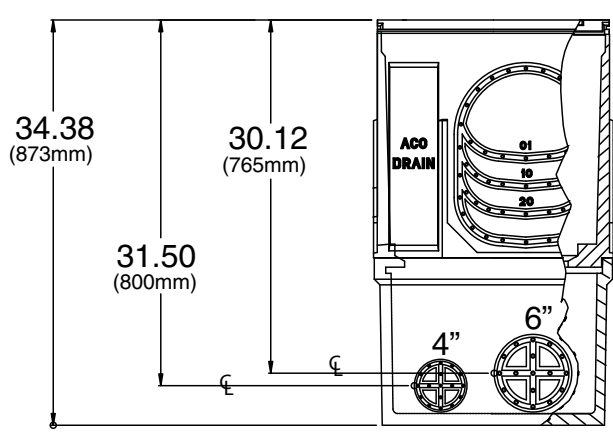
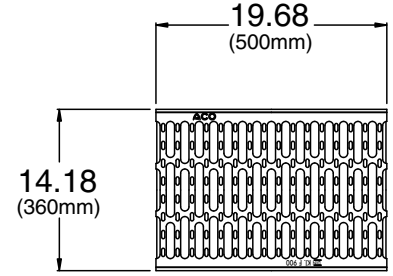
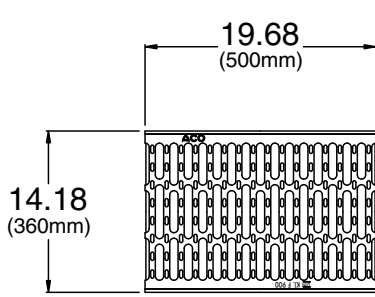


9828 SERIES MODULAR CATCH BASIN

Extra Heavy Duty- DIN 1958D Load Class F 202,320 LBS - 2659 PSI suitable for Extremely Heavy Loads such as Aircraft Traffic.



9828T-BS CATCH BASIN
 SEE BACK SHEET FOR COMPONENT DETAILS
24 GALLON CAPACITY

9828T-BD CATCH BASIN
 SEE BACK SHEET FOR COMPONENT DETAILS
34.5 GALLON CAPACITY

REGULARLY FURNISHED:
 Precast Polymer Concrete Catch Basin with Ductile Iron Frame and Ductile Iron Slotted Grate. Preformed Knockout Panels are Provided on Either End of the Catch Basin for Connection to Channels, also Preformed 4", 6" and 8" Outlet Knockouts are Furnished and Located as Shown.

- VARIATIONS:**
- Plastic Sediment Bucket -BS
 - Plastic Sediment Bucket (Deep) -BD
 - Ductile Iron ADA Grate-TADA

OPTIONAL MATERIAL:
 Vinylester

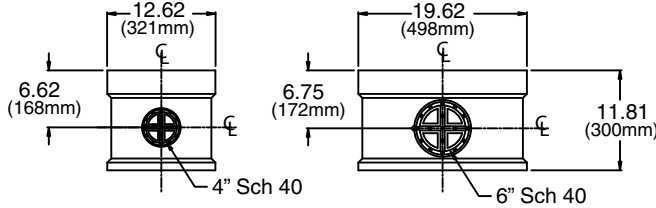


DRAWING NUMBER: a9828-CB
 SIZE: A
 SCALE: NONE
 DATE: 7-24-06
 APPROVED BY: MD
 CHECKED BY: MD
 DRAWN BY: TBW
 FIGURE NUMBER: 9828-CB

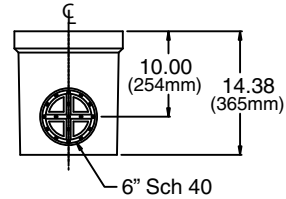
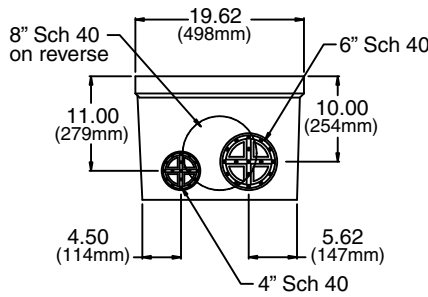
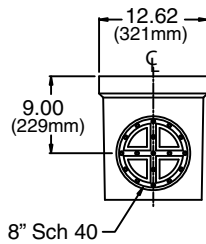
WE CAN ASSUME NO RESPONSIBILITY FOR USE OF SUPERSEDED OR VOID DATA
 DIMENSIONS ARE SUBJECT TO MANUFACTURERS TOLERANCE AND CHANGE WITHOUT NOTICE

REV.	DATE	DESCRIPTION	BY	CKD. BY	WEIGHT POUNDS	VOLUME CUBIC FEET	FIGURE NUMBER <h2 style="margin: 0;">9828-CB</h2>
D	2-8-12	Removed ADA Note	TBW	PJ			
C	1-25-10	Add ADA Note	RN	PJ			
B	11-15-07	Revised Drawing	RN	MD			

9828 SERIES MODULAR CATCH BASIN



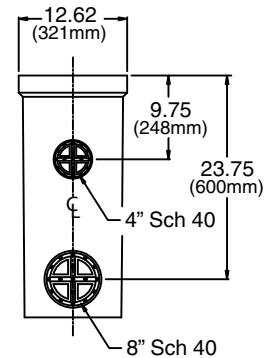
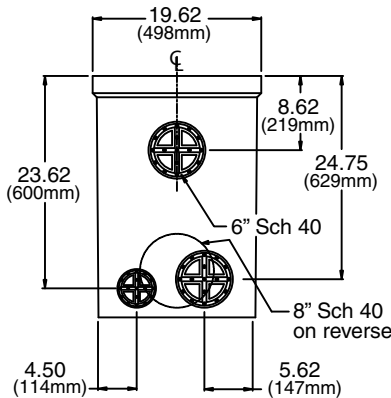
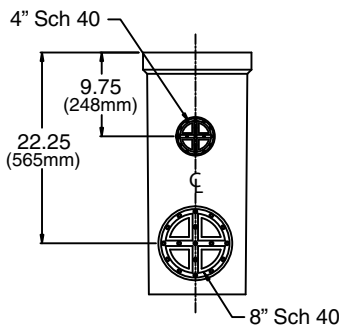
CENTER SECTION 9828-CS
 11 GALLON CAPACITY



DRAWING NUMBER: a9828-CB-BS
 SIZE: A
 SCALE: NONE
 DATE: 11-15-07
 APPROVED BY: MD
 CHECKED BY: MD
 DRAWN BY: RN
 FIGURE NUMBER: 9828-CB-BS

WE CAN ASSUME NO RESPONSIBILITY FOR USE OF SUPERSEDED OR VOID DATA
 DIMENSIONS ARE SUBJECT TO MANUFACTURERS TOLERANCE AND CHANGE WITHOUT NOTICE

SHALLOW BOTTOM SECTION 9828-BS
 11 GALLON CAPACITY



DEEP BOTTOM SECTION 9828-BD
 23 GALLON CAPACITY



REV.	DATE	DESCRIPTION	BY	CKD. BY

WEIGHT POUNDS	VOLUME CUBIC FEET

FIGURE NUMBER
9828-CB-BS