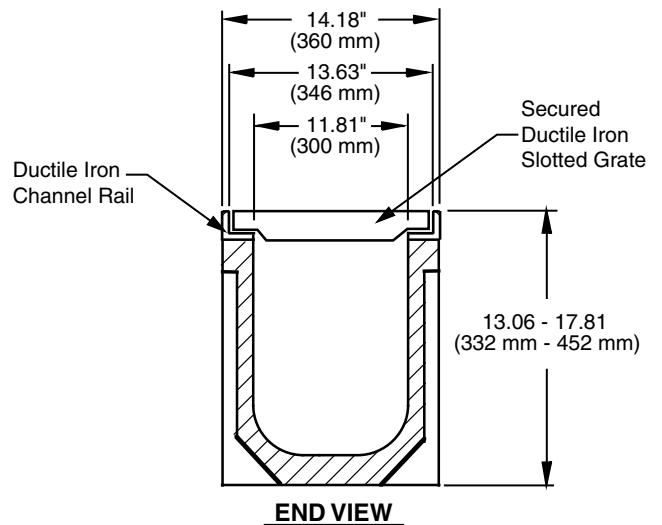
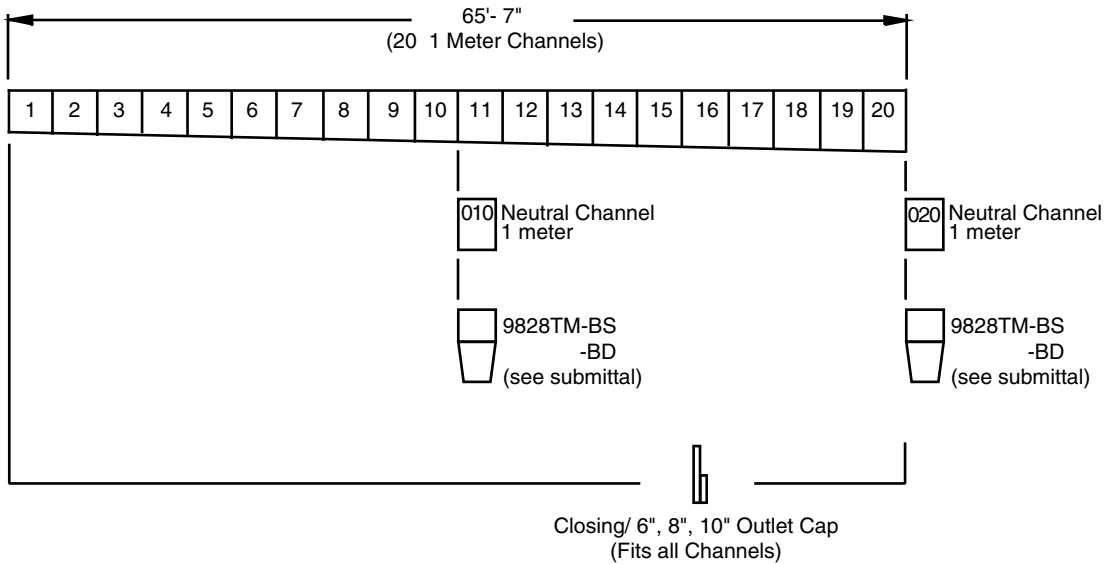


12" WIDE 9828 CHANNEL BRUTE S300 DRAIN SYSTEM w/INTEGRAL DUCTILE IRON RAIL

FUNCTION: Used in all surface drainage applications, may be assembled in any length utilizing integral Ductile Iron rail that allows for extra heavy duty applications, such as airports, bus depots, military bases, warehouses, service stations, and industrial plants. The channel and grate combination is rated for DIN 19580 load class "F" loading up to 202,320 lbs and designed to withstand loads forced on by turning actions from heavy wheeled vehicles.

DRAWING NUMBER **9828**
 SIZE **A**
 SCALE: NONE
 DATE: 3-21-03
 APPROVED BY: PACE
 CHECKED BY: PACE
 DRAWN BY: RN
 DIMENSIONS ARE SUBJECT TO MANUFACTURERS TOLERANCE AND CHANGE WITHOUT NOTICE
 WE CAN ASSUME NO RESPONSIBILITY FOR USE OF SUPERSEDED OR VOID DATA



All channels provided with vertical preformed knock-out positions for 6" (152 mm) and 8" (203 mm) outlet discharge.

Note: This trench drainage system is designed for "on grade applications only", as there are no provisions for a flashing flange or flashing clamp.

REGULARLY FURNISHED:

1 Meter (3.28') Precast Polyester Concrete Channel of Interlocking Design with a Built-in Slope of .6%. Channel has an Integral Ductile Iron Rail & Radiused Bottom. Supplied with DIN 19580 load class "F" rated Secured Ductile Iron Slotted Grates. Grates are Secured with 8 High Strength Bolts to the Ductile Iron Frame.

VARIATIONS:

- Closing/ 6", 8", 10" Outlet Endcap
- 9828TM -BS Catch Basin
- 9828TM -BD Catch Basin



FIGURE NUMBER	9828		H G F E	1-16-11 1-25-10 3-23-09 9-28-07	Rev. Variations. Rem. Note Add ADA Note Add DIN Load Class "F" Revised Drawing	TBW RN RN JJ	PJ PJ MD MD	WEIGHT POUNDS	VOLUME CUBIC FEET	FIGURE NUMBER 9828
REV.	DATE	DESCRIPTION	BY	CKD. BY						

D



JAY R. SMITH MFG. CO.®
 MEMBER OF ACORN'S FAMILY OF COMPANIES
 POST OFFICE BOX 3237
 MONTGOMERY, ALABAMA 36109-0237 (USA)
 TEL: 334-277-8520 FAX: 334-272-7396 www.jrsmith.com



MEMBER OF:

LOCATION

DRAWING NUMBER
a9828BSSIZE
ASCALE:
NONEDATE:
3-21-03

APPROVED BY:

CHECKED BY:

DRAWN BY:
RN

9828BS

FIGURE NUMBER

WE CAN ASSUME NO RESPONSIBILITY FOR USE OF SUPERSEDED OR VOID DATA
DIMENSIONS ARE SUBJECT TO MANUFACTURERS TOLERANCE AND CHANGE WITHOUT NOTICE

12" WIDE 9828 CHANNEL BRUTE S300 DRAIN SYSTEM w/INTEGRAL DUCTILE IRON RAIL

Channel Number	Deep End Depth* in.	mm	Slope	Channel Length	Weight lbs. Channel w/Grates
9828-S300-1	13.31	338	0.6	39.38/1m	217
9828-S300-2	13.54	344	0.6	39.38/1m	218
9828-S300-3	13.78	350	0.6	39.38/1m	219
9828-S300-4	14.01	356	0.6	39.38/1m	220
9828-S300-5	14.25	362	0.6	39.38/1m	221
9828-S300-6	14.49	368	0.6	39.38/1m	222
9828-S300-7	14.72	374	0.6	39.38/1m	223
9828-S300-8	14.96	380	0.6	39.38/1m	224
9828-S300-9	15.20	386	0.6	39.38/1m	225
9828-S300-10	15.43	392	0.6	39.38/1m	226
9828-S300-010	15.43	392	0.0	39.38/1m	227
9828-S300-11	15.67	398	0.6	39.38/1m	227
9828-S300-12	15.91	404	0.6	39.38/1m	228
9828-S300-13	16.14	410	0.6	39.38/1m	230
9828-S300-14	16.38	416	0.6	39.38/1m	231
9828-S300-15	16.61	422	0.6	39.38/1m	232
9828-S300-16	16.85	428	0.6	39.38/1m	233
9828-S300-17	17.09	434	0.6	39.38/1m	234
9828-S300-18	17.32	440	0.6	39.38/1m	235
9828-S300-19	17.56	446	0.6	39.38/1m	236
9828-S300-20	17.80	452	0.6	39.38/1m	238
9828-S300-020	17.80	452	0.0	39.38/1m	238

NOTE: To calculate invert dim. on deep end of the channel,
 subtract 1.12" (28mm) from deep end depth shown in above table.

D
C9-29-09
6-9-03Revised Drawing
Corrected TableJJ
RNMD
PJWEIGHT
POUNDSVOLUME
CUBIC FEET

FIGURE NUMBER

9828BS

REV.

DATE

DESCRIPTION

BY

CKD. BY