

9820 CATCH DRAIN

DRAWING NUMBER
9820-CB

SIZE
A

SCALE:
NONE

DATE:
9-23-09

APPROVED BY:
MD

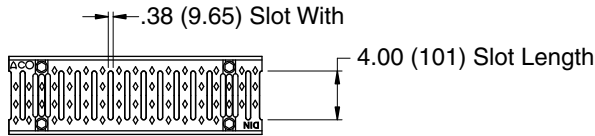
CHECKED BY:
MD

DRAWN BY:
RN

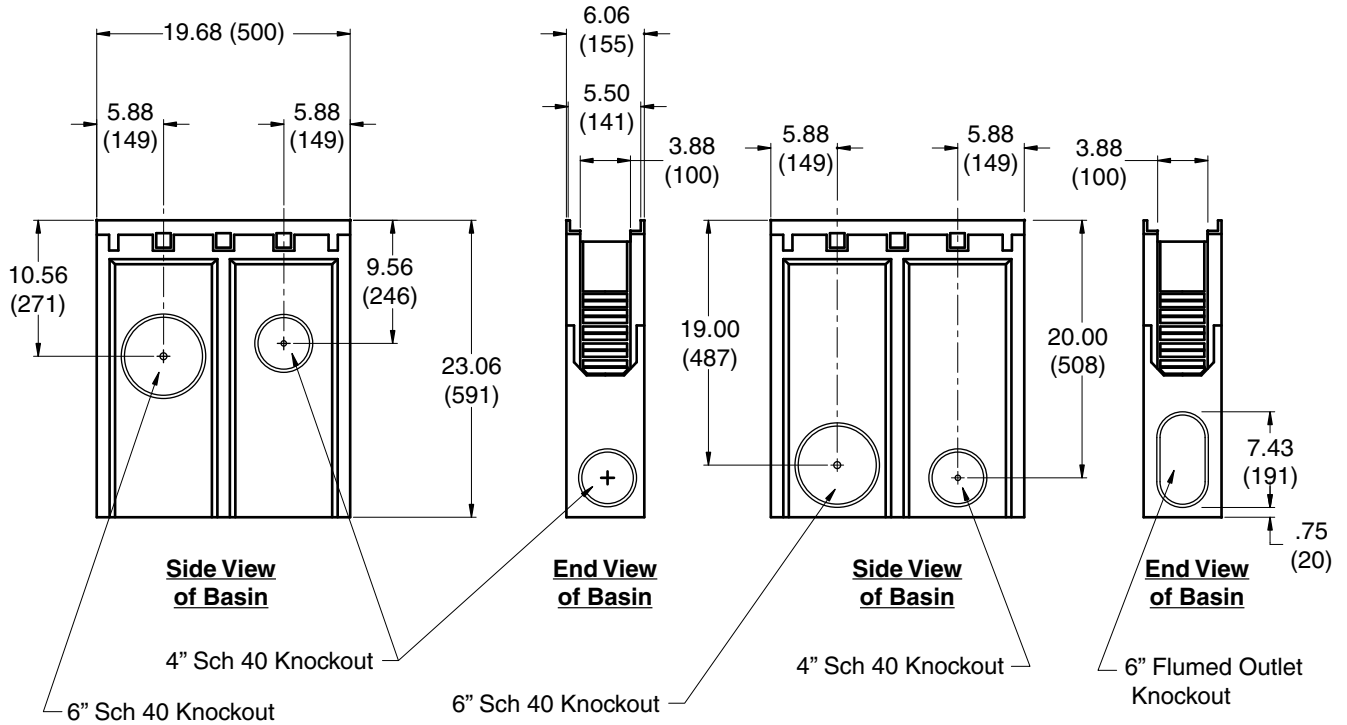
9820-CB

FIGURE NUMBER

WE CAN ASSUME NO RESPONSIBILITY FOR USE OF SUPERSEDED OR VOID DATA



Top View of Grate
(Open Area 28.75 in²)



REGULARLY FURNISHED:
 Precast Polymer Concrete Catch Basin with Integral Cast Iron Edge Rail with Pre-formed 4" and 6" Knockouts. Supplied with Secured Ductile Iron slotted Din 19580 Load Class F Grate.

VARIATIONS:
 Plastic Sediment Bucket -BP
 End Cap -EC

OPTIONAL MATERIALS:
 Vynlester -V

Note: Dimensions shown in parentheses are in millimeters.



REV.	DATE	DESCRIPTION	BY	CKD. BY

WEIGHT POUNDS
82.0

VOLUME CUBIC FEET

FIGURE NUMBER
9820-CB