



JAY R. SMITH MFG. CO.®
 DIVISION OF SMITH INDUSTRIES, INC.
 POST OFFICE BOX 3237
 MONTGOMERY, ALABAMA 36109-0237 (USA)
 TEL: 334-277-8520 FAX: 334-272-7396 www.jrsmith.com



LOCATION

9810-LC FRAME & GRATE SYSTEM

DRAWING NUMBER
A9810-LC

SIZE
A

SCALE:
NONE

DATE:
10/05/09

APPROVED BY:
MD

CHECKED BY:
MD

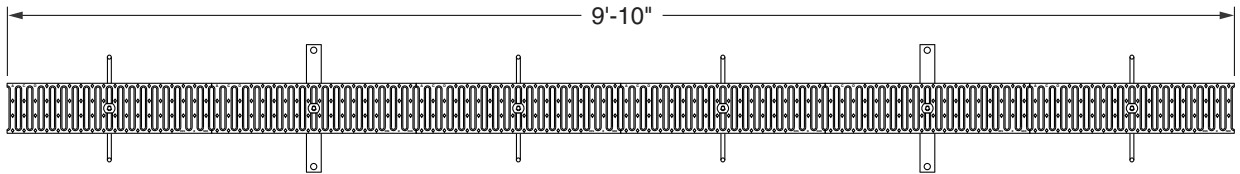
DRAWN BY:
JJ

9810-LC

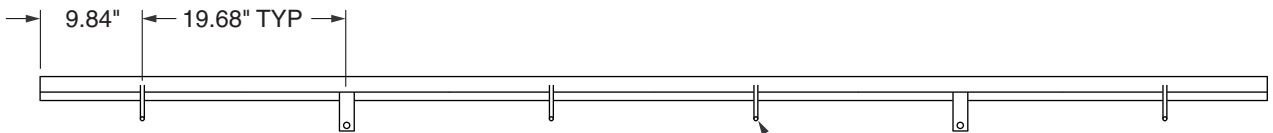
FIGURE NUMBER

WE CAN ASSUME NO RESPONSIBILITY FOR USE OF SUPERSEDED OR VOID DATA

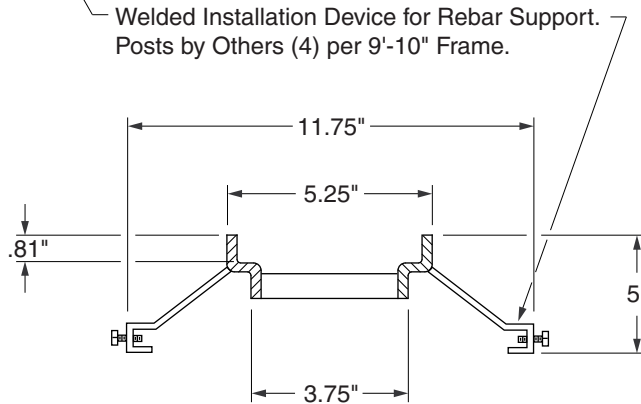
DIMENSIONS ARE SUBJECT TO MANUFACTURERS TOLERANCE AND CHANGE WITHOUT NOTICE



TOP VIEW
(Ductile Iron Slotted Grates Shown)



SIDE VIEW
Concrete Anchors (8) per 9'-10" Frame



SECTION VIEW OF FRAME

REGULARLY FURNISHED:
 Enamel Coated Welded Steel Frame
 Support System with Concrete Anchors
 (1 pair every 9.84") and Rebar Installation
 Devices (4 per 9.84' frame section).
 Supplied with Secured Grates as Specified
 (See Backsheet).

OPTIONAL FRAME MATERIAL:
 Stainless Steel (304)
 Galvanized Steel



REV.	DATE	DESCRIPTION	BY	CKD. BY

WEIGHT
POUNDS

VOLUME
CUBIC FEET

FIGURE NUMBER

9810-LC



JAY R. SMITH MFG. CO.
 DIVISION OF SMITH INDUSTRIES, INC.
 POST OFFICE BOX 3237
 MONTGOMERY, ALABAMA 36109-0237 (USA)
 TEL: 334-277-8520 FAX: 334-272-7396 www.jrsmith.com



LOCATION

9810-LC FRAME & GRATE SYSTEM

Light Duty, DIN 19580 Class A - 3,500 lbs - 70 psi
For pedestrian, wheel chair and bicycle traffic

- 9870-410-GP- 1/4 dia. perforated galv. steel grate (27.60 SQ. IN.) Open Area/1 Meter
- 9870-420-G - 3 1/4x 3/8 slotted galv. steel grate (42.60 SQ. IN.) Open Area/1 Meter
- 9870-450-SS- 3 1/4 x 3/8 slotted stainless steel grate (42.60 SQ. IN.) Open Area/1 Meter
- 9870-451-SSPA- 1/4 dia. perforated stainless steel grate (27.60 SQ. IN.) Open Area/1 Meter
- 9870-445-SSADA- 1 13/16 x 3/16 longitudinal stainless steel slot bar grate (95.00 SQ. IN.) Open Area/1 Meter
- 9870-494-PADAB- 1 3/4 x 5/16 longitudinal slot black polypropylene grate (28.00 SQ. IN.) Open Area/1/2 Meter

Heavy Duty, DIN 19580 Class C -56,000 lbs - 1,162 psi
For commercial pneumatic tire traffic patterns, forklifts and tractor trailers

- 9870-405-GM- 1 3/16 x 1/2 longitudinal galv. steel slot bar grate (125.30 SQ. IN.) Open Area/1 Meter
- 9870-411-GPHD- 1/4 dia. perforated galv. steel grate (27.60 SQ. IN.) Open Area/1 Meter
- 9870-416-GS- solid galvanized steel cover
- 9870-425-GHD- 3 1/4 x 3/8 slotted galv. steel grate (42.60 SQ. IN.) Open Area/1 Meter
- 9870-430-SSM- 1 3/16 x 1/2 longitudinal stainless steel slot bar grate (125.30 SQ. IN.) Open Area/1 Meter
- 9870-455-SSHD- 3 1/4 x 3/8 slotted stainless steel grate (42.60 SQ. IN.) Open Area/1 Meter
- 9870-465-SSP-1/4 dia. perforated stainless steel grate (27.60 SQ. IN.) Open Area/1 Meter
- 9870-477-ML- 1 3/4 x 1 longitudinal ductile iron slotted grate (42.00 SQ. IN.) Open Area/1/2 Meter
- 9870-479-MD- Mosaic pattern ductile iron grate (19.50 SQ. IN.) Open Area/1/2 Meter
- 9870-485-PB- 1/4 dia. perforated brass grate (27.60 SQ. IN.) Open Area/1 Meter
- 9870-492-RC- 1 1/2x 13/16 slotted resin composite grate (16.30 SQ. IN.) Open Area/1/2 Meter

Extra Heavy Duty, DIN 19580 Class E- 135,000 lbs - 2,788 psi
For commercial solid tire traffic patterns, forklifts and impacts from steel struts or metal wheels.

- 9870-435-GHDE- 3 1/4 x 3/8 slotted galv. steel grate (42.60 SQ. IN.) Open Area/1 Meter
- 9870-461-M- 3 15/16 x 3/8 ductile iron slotted grate (21.00 SQ. IN.) Open Area/1/2 Meter
- 9870-477-MADA- 1 3/4 x 5/16 longitudinal ductile iron slotted grate (14.30 SQ. IN.) Open Area/1/2 Meter
- 9870-490-SSHDE- 3 1/4 x 3/8 slotted stainless steel grate (42.60 SQ. IN.) Open Area/1 Meter



DRAWING NUMBER
A9810-LCBS

SIZE
A

SCALE:
NONE

DATE:
10/05/09

APPROVED BY:
MD

CHECKED BY:
MD

DRAWN BY:
JJ

FIGURE NUMBER
9810-LCBS

WE CAN ASSUME NO RESPONSIBILITY FOR USE OF SUPERSEDED OR VOID DATA
DIMENSIONS ARE SUBJECT TO MANUFACTURERS TOLERANCE AND CHANGE WITHOUT NOTICE

REV.	DATE	DESCRIPTION	BY	CKD. BY	WEIGHT POUNDS	VOLUME CUBIC FEET	FIGURE NUMBER
A	11/02/09	Added Open Area	JJ	PJ			9810-LCBS