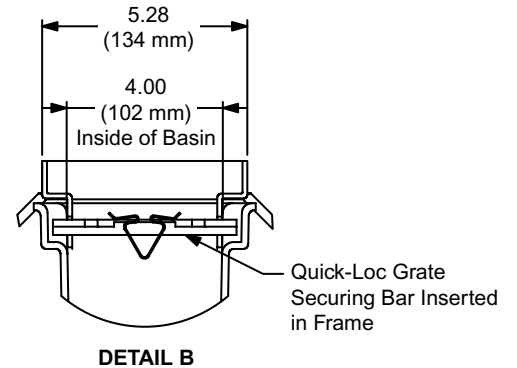
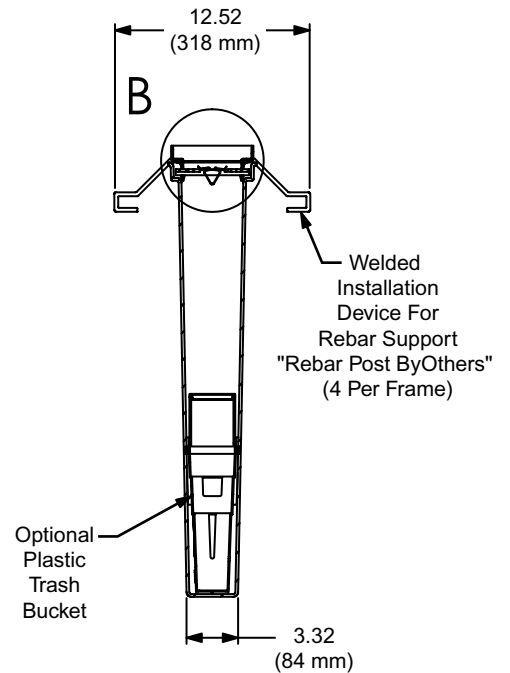
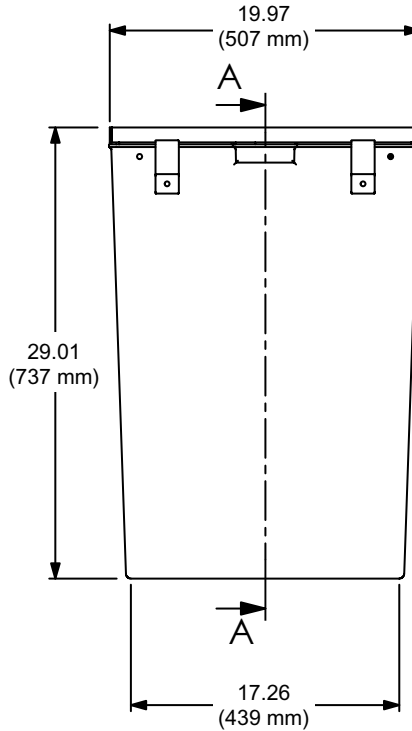
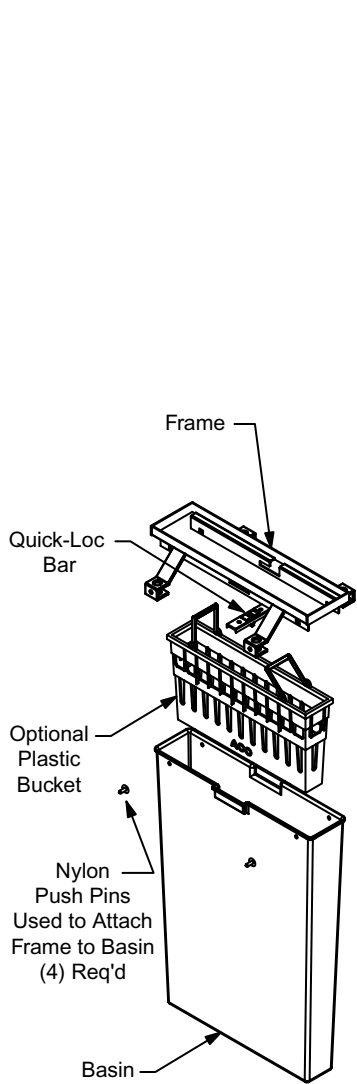


## 9810 SERIES FIBERGLASS CATCH BASIN

DRAWING NUMBER: **a9810-CB4**  
 SIZE: **A**  
 SCALE: **NONE**  
 DATE: **11-22-96**  
 APPROVED BY: **PACE**  
 CHECKED BY: **MSM**  
 DRAWN BY: **EMB**  
**9810-CB4**  
 FIGURE NUMBER

WE CAN ASSUME NO RESPONSIBILITY FOR USE OF SUPERSEDED OR VOID DATA  
 DIMENSIONS ARE SUBJECT TO MANUFACTURER'S TOLERANCE AND CHANGE WITHOUT NOTICE



**REGULARLY FURNISHED:**  
 Polyester Resin Fiberglass Catch Basin with Duco Coated Steel Frame. Grates to meet your specifications.

**OPTIONAL MATERIALS:**  
 Vinylester Resin

**VARIATIONS:**

- Galvanized Steel Frame
- 304 Stainless Frame
- Plastic Trash Bucket
- See Back Sheet for Grate Options



REV.	DATE	DESCRIPTION	BY	CKD. BY	WEIGHT POUNDS	VOLUME CUBIC FEET	<b>FIGURE NUMBER</b> <b>9810-CB4</b>
E	8-13-04	Revised Drawing & Added Back Sh.	RN	PJ			
D	9-5-02	Added New ACO Logo	RN	PJ			
C	9-24-97	Changed Dwg. Number	EMB	MD			
B	7-15-97	Changed Dwg. Number	EMB	MSM			
A	12-30-96	Rev Dwg.	EMB				



**JAY R. SMITH MFG. CO.**  
 DIVISION OF SMITH INDUSTRIES, INC.  
 POST OFFICE BOX 3237  
 MONTGOMERY, ALABAMA 36109-0237 (USA)  
 TEL: 334-277-8520 FAX: 334-272-7396 www.jrsmith.com



MEMBER OF:

LOCATION

# 9810 SERIES FIBERGLASS CATCH BASIN GRATES

**Light Duty, DIN 19580 Class A - 3,500 lbs - 70 psi**  
**For pedestrian, wheel chair and bicycle traffic**

- 9870-410-GP- 1/4" dia. perforated galv. steel grate (13.80 SQ. IN.)
- 9870-420-G- 3 1/4" x 3/8" slotted galv. steel grate (21.30 SQ. IN.)
- 9870-450-SS- 3 1/4" x 3/8" slotted stainless steel grate (21.30 SQ. IN.)
- 9870-451-SSPA- 1/4" dia. perforated stainless steel grate (13.80 SQ. IN.)
- 9870-445-SSADA- 13/16" x 3/16" longitudinal stainless steel slot bar grate (47.50 SQ. IN.)
- 9870-494-PADA- 1 3/4" x 5/16" longitudinal slot black polypropylene grate (28.0 SQ. IN.)

**Heavy Duty, DIN 19580 Class C -56,000 lbs - 1,162 psi**  
**For commercial pneumatic tire traffic patterns, forklifts and tractor trailers**

- 9870-405-GM- 1 3/16" x 1/2" longitudinal galv. steel slot bar grate (62.70 SQ. IN.)
- 9870-411-GPHD- 1/4" dia. perforated galv. steel grate (13.80 SQ. IN.)
- 9870-425-GHD- 3 1/4" x 3/8" slotted galv. steel grate (21.30 SQ. IN.)
- 9870-430-SSM- 1 3/16" x 1/2" longitudinal stainless steel slot bar grate (62.70 SQ. IN.)
- 9870-455-SSHHD- 3 1/4" x 3/8" slotted stainless steel grate (21.30 SQ. IN.)
- 9870465-SSP- 1/4" dia. perforated stainless steel grate (13.80 SQ. IN.)
- 9870-477-ML- 1 3/4" x 1" longitudinal ductile iron slotted grate (42.00 SQ. IN.)
- 9870-479-MD- Mosaic pattern ductile iron grate (19.50 SQ. IN.)
- 9870-485-PB- 1/4" dia. perforated brass grate (13.80 SQ. IN.)
- 9870-492-RC- 1 1/2" x 13/16" slotted resin composite grate (16.30 SQ. IN.)

**Extra Heavy Duty, DIN 19580 Class E- 135,000 lbs - 2,788 psi**  
**For commercial solid tire traffic patterns, forklifts and impacts from steel struts or metal wheels.**

- 9870-435-GHDE- 3 1/4" x 3/8" slotted galv. steel grate (21.30 SQ. IN.)
- 9870-461-M- 3 15/16" x 3/8" ductile iron slotted grate (21.00 SQ. IN.)
- 9870-477-MADA- 1 3/4" x 5/16" longitudinal ductile iron slotted grate (14.30 SQ. IN.)
- 9870-490-SSHDE- 3 1/4" x 3/8" slotted stainless steel grate (21.30 SQ. IN.)



WE CAN ASSUME NO RESPONSIBILITY FOR USE OF SUPERSEDED OR VOID DATA

DIMENSIONS ARE SUBJECT TO MANUFACTURERS TOLERANCE AND CHANGE WITHOUT NOTICE

DRAWING NUMBER  
a9810-CB4-BS

SIZE  
**A**

SCALE:  
NONE

DATE:  
8-17-04

APPROVED BY:

CHECKED BY:

DRAWN BY:  
RN

**9810-CB4-BS**

FIGURE NUMBER

REV.	DATE	DESCRIPTION	BY	CKD. BY	WEIGHT POUNDS	VOLUME CUBIC FEET	FIGURE NUMBER
							<b>9810-CB4-BS</b>