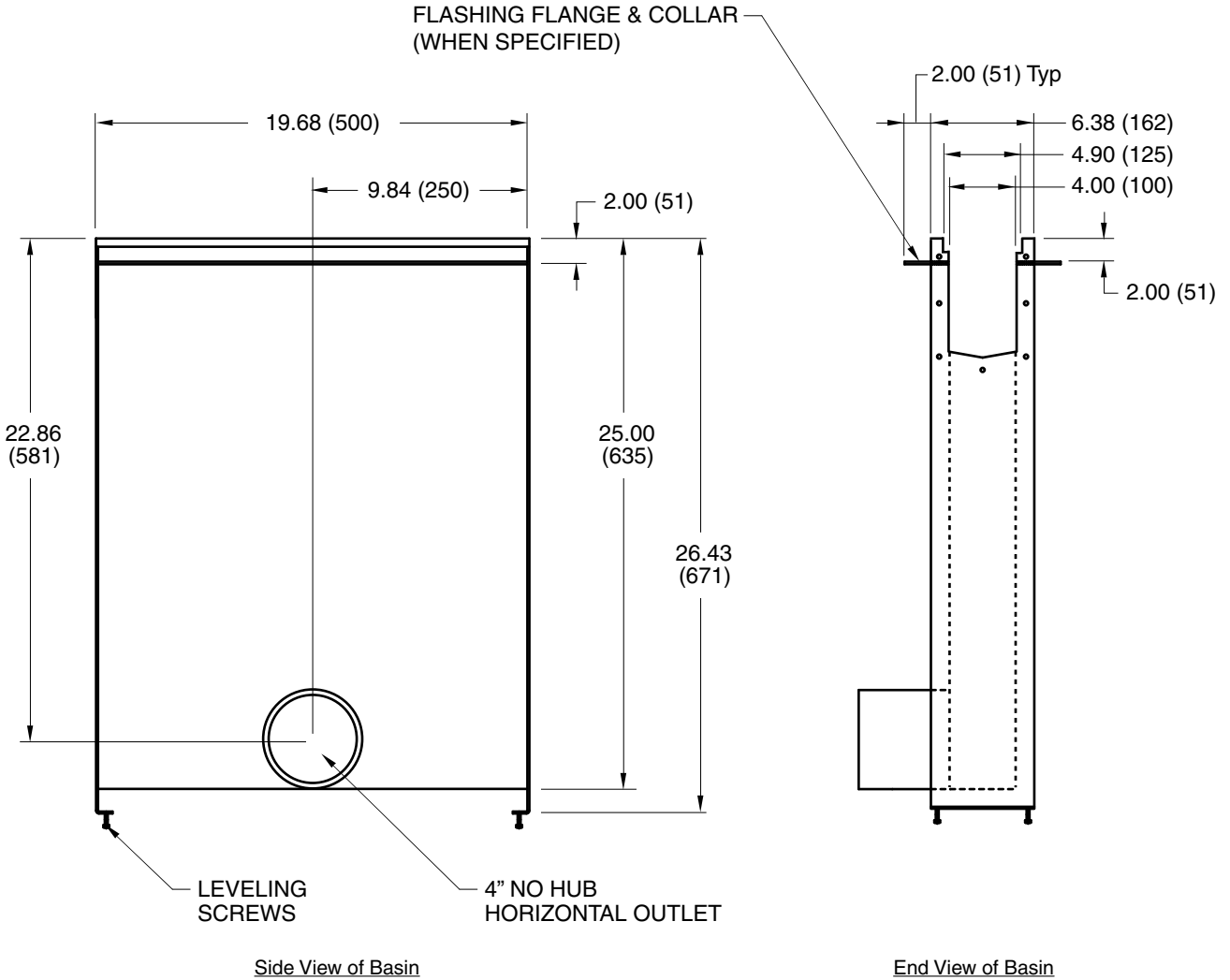


# STAINLESS STEEL TRENCH DRAIN

## 6" WIDE MODULAR STAINLESS STEEL CATCH BASIN



**REGULARLY FURNISHED:**

Fabricated 16 gauge type 304 stainless steel catch basin with bolting end plates, 4" no hub side outlet, supplied with secured stainless steel 9870-450-SS slotted grate. Basin is made to fit channel #15 only

**VARIATIONS:**

- BW Buttweld Outlet
- For Grating Options See Backsheet
- Flashing Flange and Collar -FC
- End Cap -EC
- Stainless Steel Bucket -BSS

**OPTIONAL MATERIALS:**

- Type 316 Stainless Steel -316SS

**Note:** Dimensions shown in parentheses are in millimeters.

DRAWING NUMBER  
9660-CB

SIZE  
**A**

SCALE:  
NONE

DATE:  
9-22-09

APPROVED BY:  
MD

CHECKED BY:  
MD

DRAWN BY:  
RN

**9660-CB**

FIGURE NUMBER

WE CAN ASSUME NO RESPONSIBILITY FOR USE OF SUPERSEDED OR VOID DATA

DIMENSIONS ARE SUBJECT TO MANUFACTURERS TOLERANCE AND CHANGE WITHOUT NOTICE

REV.	DATE	DESCRIPTION	BY	CKD. BY

WEIGHT POUNDS	82.0
---------------	------

VOLUME CUBIC FEET	
-------------------	--

FIGURE NUMBER	<b>9660-CB</b>
---------------	----------------



MEMBER OF:

LOCATION

# STAINLESS STEEL TRENCH DRAIN

**Grating Options:**

Light Duty-DIN 19580/EN 1433 Load Class A-3500 lbs-70 psi.  
 Pedestrian, Bicycle, and Wheelchair Traffic

- 9870-445-SSADA ADA Stainless Steel
- 9870-450-SS Slotted Stainless Steel
- 9870-451-SSPA Perforated Stainless Steel

Heavy Duty-DIN 19580/EN 1433 Load Class C-56,000 lbs-1,162 psi.  
 Commercial Pneumatic Tire Traffic Patterns, Forklifts and  
 Tractor Trailers

- 9870-430-SSM Stainless Steel Mesh
- 9870-455-SSHHD Slotted Stainless Steel
- 9870-465-SSP Perforated Stainless Steel
- 9870-466-SBG Stainless Steel Bar Grate
- 9870-466-SBG Stainless Steel Bar Grate (Type 316SS)

Extra Heavy Duty-DIN 19580/EN 1433 Load Class E-135,000 lbs  
 -2,788 psi. Commercial Solid Tire Traffic Patterns, Forklifts  
 and Impacts From Steel Struts or Metal Wheels

- 9870-490-SSHDE Slotted Stainless Steel

DRAWING NUMBER  
9660-CB-BS

SIZE  
**A**

SCALE:  
NONE

DATE:  
9-22-09

APPROVED BY:  
MD

CHECKED BY:  
MD

DRAWN BY:  
RN

**9660-CB-BS**

FIGURE NUMBER

WE CAN ASSUME NO RESPONSIBILITY FOR USE OF SUPPLEMENTED OR VOID DATA

DIMENSIONS ARE SUBJECT TO MANUFACTURERS TOLERANCE AND CHANGE WITHOUT NOTICE

REV.	DATE	DESCRIPTION	BY	CKD. BY	WEIGHT POUNDS	VOLUME CUBIC FEET	FIGURE NUMBER
							<b>9660-CB-BS</b>