

DRAWING NUMBER
S3300-15

SIZE
A

SCALE:
NONE

DATE:
04/11/07

APPROVED BY:
TWK

CHECKED BY:
TWK

DRAWN BY:
JJ

FIGURE NUMBER
3300-15

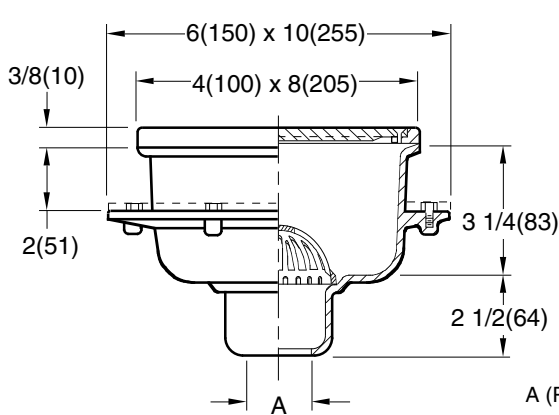
WE CAN ASSUME NO RESPONSIBILITY FOR USE OF SUPERSEDED OR VOID DATA

DIMENSIONS ARE SUBJECT TO MANUFACTURERS TOLERANCE AND CHANGE WITHOUT NOTICE

SANI-CEPTOR® ACID RESISTANT COATED FLOOR & INDIRECT WASTE DRAINS

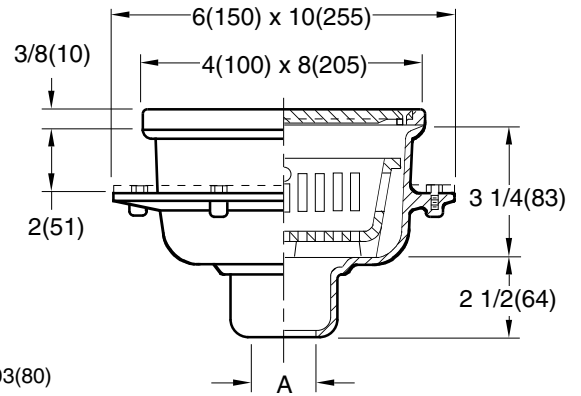
4(100) x 8"(205) RECTANGULAR TOP - SHALLOW RECEPTORS

FUNCTION: Used in kitchens, hospitals, food markets, restaurants, schools and all types of food handling areas where the ultimate in sanitation is desirable and a small capacity receptor is required. Rectangular top is ideal for use under counters and along walls.



WITH DOME BOTTOM STRAINER

Free Area
6.70 SQ IN
(43) SQ CM



WITH SEDIMENT BUCKET

Fig. 3300CCAULK OUTLET Fig. 3301C
 Fig. 3300Y NO-HUB OUTLET Fig. 3301Y

FEATURES, OPTIONS & ORDERING INFORMATION

REGULARLY FURNISHED: Cast Iron Flanged Receptor with Seepage Holes, Acid Resistant Coated Interior, Nickel Bronze Rim and Secured Grate. Aluminum Dome Bottom Strainer or Sediment Bucket as Indicated by Figure Number.

VARIATIONS:

- Aluminum Flat Bottom Strainer -FBS
- Flashing Clamp -C
- Less Flange (Specify Fig. 3305, 3306)
- Polished Aluminum Dome Bottom Strainer -PDBS
- Vandal Proof Screws -U
- Stainless Steel Top

OPTIONAL MATERIALS:

- All Duco Cast Iron Receptor -CI
- All Galvanized Receptor -G
- Stainless Steel Receptor (See Fig. 9740)

NOTE: Dimensions shown in parentheses are in millimeters.

**SUFFIX NUMBER
RECTANGULAR RIM DESCRIPTION**

<input type="checkbox"/>	-10	Less NB Rim and Grate
<input type="checkbox"/>	-11	Less Grate w/NB Rim
<input type="checkbox"/>	-12	With NB Rim and 1/2 Grate
<input type="checkbox"/>	-21	With NB Rim and Grate with 4"(100) DIA NB Funnel
<input type="checkbox"/>	-22	With NB Rim and Grate with 6"(150) DIA NB Funnel
<input type="checkbox"/>	-25	With NB Rim and Grate with 8 1/4(210) x 3 1/4(83) x 4 1/2"(115) High Oval NB Funnel
<input type="checkbox"/>	-26	With NB Rim and Grate with 6(150) x 2 1/2(64) x 1"(25) High Oval NB Funnel
<input type="checkbox"/>	-41	With NB Rim and Solid Cover
<input type="checkbox"/>	-42	With NB Rim and 1/2 Solid Cover

REV.	DATE	DESCRIPTION	BY	CKD. BY

WEIGHT POUNDS	VOLUME CUBIC FEET

FIGURE NUMBER
3300-15