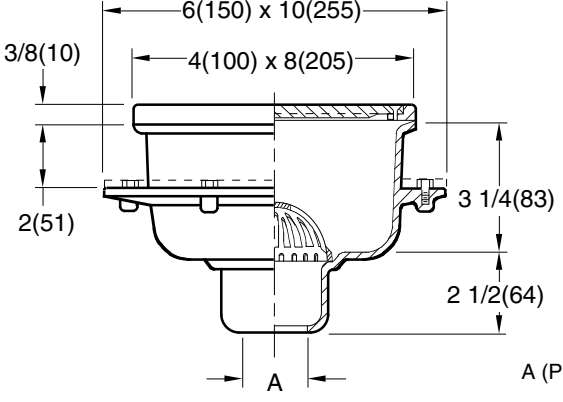


SANI-CEPTOR® ACID RESISTANT COATED FLOOR & INDIRECT WASTE DRAINS

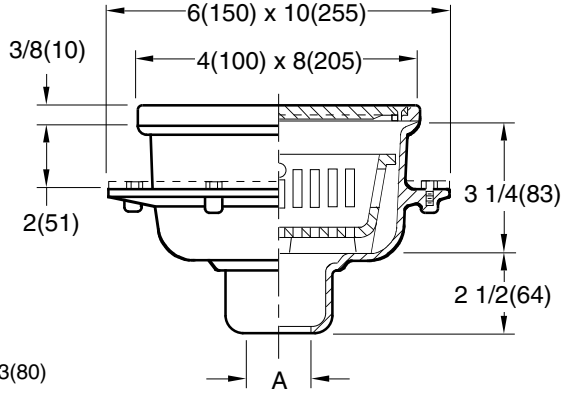
4(100) x 8"(205) RECTANGULAR TOP - SHALLOW RECEPTORS

FUNCTION: Used in kitchens, hospitals, food markets, restaurants, schools and all types of food handling areas where the ultimate in sanitation is desirable and a small capacity receptor is required. Rectangular top is ideal for use under counters and along walls.

Free Area
6.70 SQ IN
(43) SQ CM



WITH DOME BOTTOM STRAINER



WITH SEDIMENT BUCKET

Fig. 3300CCAULK OUTLET Fig. 3301C
 Fig. 3300Y NO-HUB OUTLET Fig. 3301Y

FEATURES, OPTIONS & ORDERING INFORMATION

REGULARLY FURNISHED: Cast Iron Flanged Receptor with Seepage Holes, Acid Resistant Coated Interior, Nickel Bronze Rim and Secured Grate. Aluminum Dome Bottom Strainer or Sediment Bucket as Indicated by Figure Number.

VARIATIONS:

- Aluminum Flat Bottom Strainer -FBS
- Flashing Clamp -C
- Less Flange (Specify Fig. 3305, 3306)
- Polished Aluminum Dome Bottom Strainer -PDBS
- Vandal Proof Screws -U

OPTIONAL MATERIALS:

- All Duco Cast Iron Receptor -CI
- All Galvanized Receptor -G
- Stainless Steel Receptor (See Fig. 9740)

NOTE: Dimensions shown in parentheses are in millimeters.

SUFFIX NUMBER RECTANGULAR RIM DESCRIPTION

-	10	Less NB Rim and Grate
-	11	Less Grate w/NB Rim
-	12	With NB Rim and 1/2 Grate
-	21	With NB Rim and Grate with 4"(100) DIA NB Funnel
-	22	With NB Rim and Grate with 6"(150) DIA NB Funnel
-	25	With NB Rim and Grate with 8 1/4(210) x 3 1/4(83) x 4 1/2"(115) High Oval NB Funnel
-	26	With NB Rim and Grate with 6(150) x 2 1/2(64) x 1"(25) High Oval NB Funnel
-	41	With NB Rim and Solid Cover
-	42	With NB Rim and 1/2 Solid Cover

DRAWING NUMBER S3300
 SIZE A
 SCALE: NONE
 DATE: 9-19-85
 APPROVED BY: SJM
 CHECKED BY: JD
 DRAWN BY: PJ
3300, 3301
 DIMENSIONS ARE SUBJECT TO MANUFACTURERS TOLERANCE AND CHANGE WITHOUT NOTICE

REV.	DATE	DESCRIPTION	BY	CKD. BY	WEIGHT POUNDS	VOLUME CUBIC FEET	FIGURE NUMBER <h1 style="margin: 0;">3300, 3301</h1>
D	8-23-96	Added Millimeters	EMB	BS			
C	7-14-94	Revised	EMB	BS			
B	12-7-93	Submittal Update	EMB	BS			
A	10-10-91	Rev Reg Furn and Dwg	TWK	CR			