

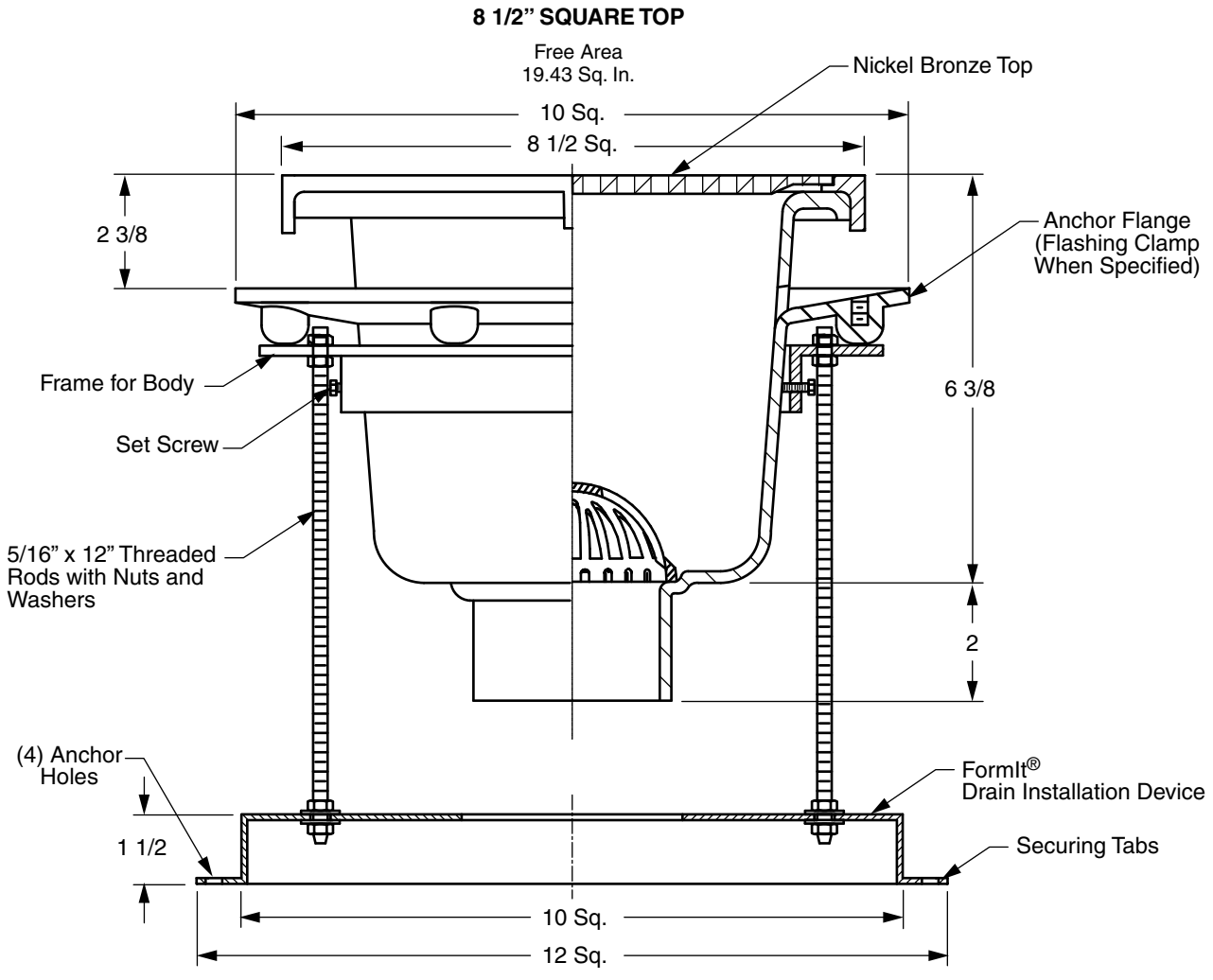
SMITH® JAY R. SMITH MFG. CO.®
 DIVISION OF SMITH INDUSTRIES, INC.
 POST OFFICE BOX 3237
 MONTGOMERY, ALABAMA 36109-0237 (USA)
 TEL: 334-277-8520 FAX: 334-272-7396 www.jrsmith.com



LOCATION

8 1/2" SQUARE ENAMELED FLOOR SINK WITH FormIt® DRAIN INSTALLATION DEVICE

FUNCTION: The Jay R. Smith Mfg. Co.® FormIt® Drain Installation Device is designed to stabilize the drain and provide adjustment during the installation process and allows final connection of outlet piping to drain after the concrete pour.



A (Pipe Size) = 02,03 or 04
 Fig. 3038Y..... NO HUB OUTLET
 Fig. 3038Y(-B)..... NO HUB OUTLET WITH BUCKET

REGULARLY FURNISHED:
 Cast Iron Flanged Receptor with Seepage Holes, Acid Resistant Coated Interior, Nickel Bronze Rim and Secured Grate, Aluminum Dome Bottom Strainer and FormIt® Drain Installation Device with Trim.

- VARIATIONS:**
- NB Rim and 1/2 Grate (Suffix) -12
 - NB Rim and 3/4 Grate (Suffix) -13
 - Aluminum Flat Bottom Strainer -FBS
 - Flashing Clamp -C
 - Sediment Bucket -B
 - Vandal Proof Top (Nickel Bronze Tops Only) -U

- OPTIONAL MATERIAL:**
- All Duco Cast Iron Receptor -CI
 - All Galvanized Receptor -G

B
 DRAWING NUMBER s3038
 SIZE A
 SCALE: NONE
 DATE: 8-27-08
 APPROVED BY: BW
 CHECKED BY: BW
 DRAWN BY: RN
 3038
 FIGURE NUMBER

WE CAN ASSUME NO RESPONSIBILITY FOR USE OF SUPERSEDED OR VOID DATA

DIMENSIONS ARE SUBJECT TO MANUFACTURERS TOLERANCE AND CHANGE WITHOUT NOTICE

B	7-7-10	Revised™ to @	RN	BW
A	05/14/09	Added Function	JJ	BW
REV.	DATE	DESCRIPTION	BY	CKD. BY

WEIGHT POUNDS	VOLUME CUBIC FEET	FIGURE NUMBER
		3038